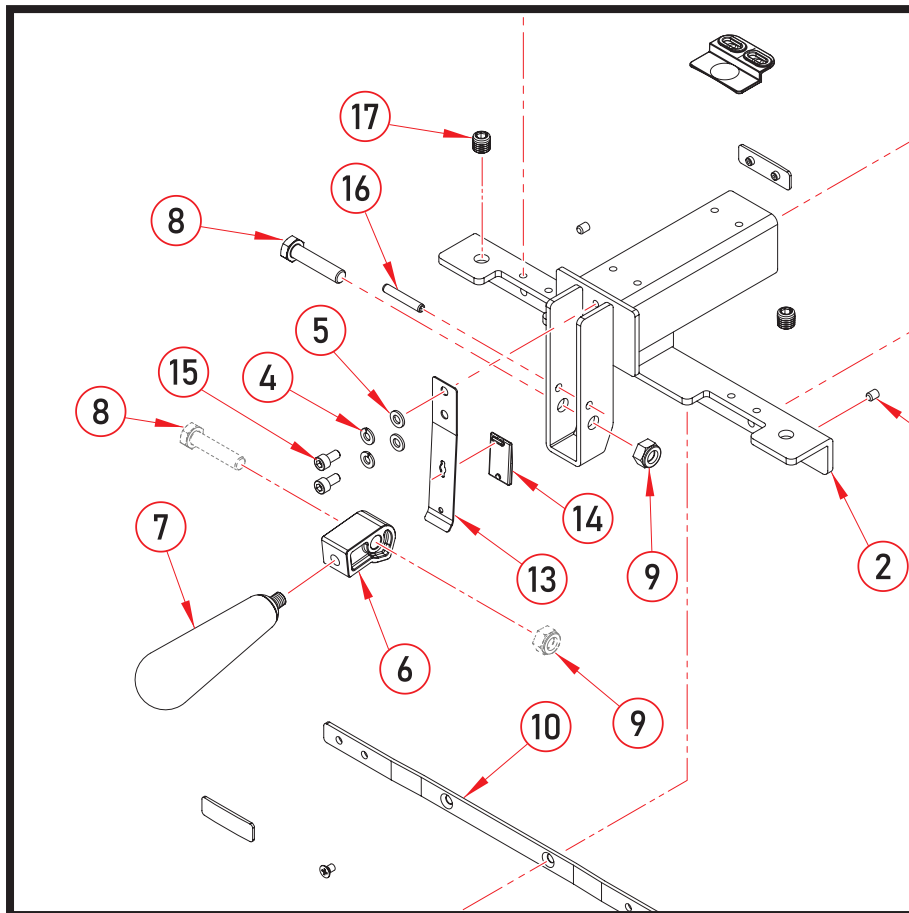




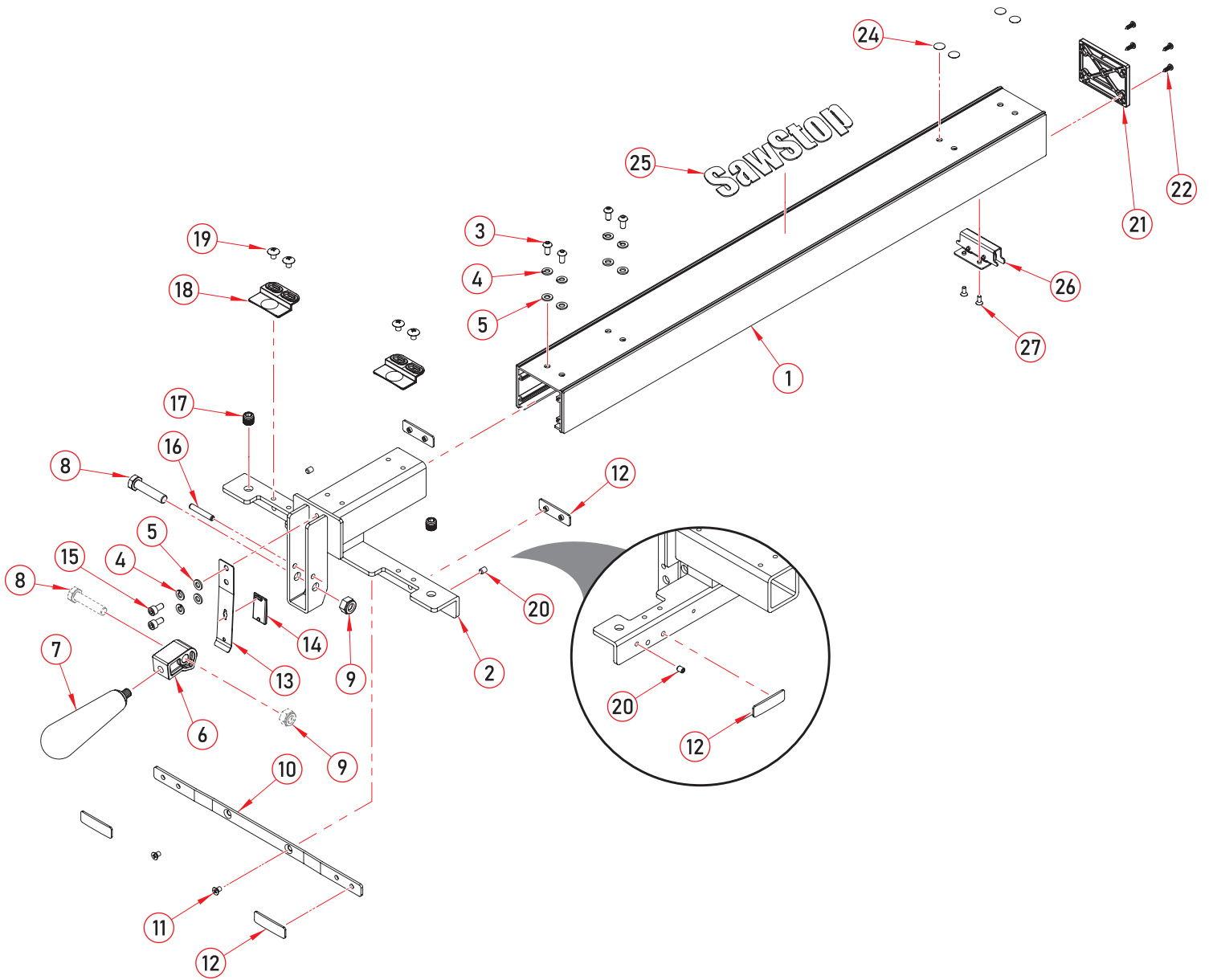
Model TSA-PFA

# Premium Fence Assembly

## Parts Lists



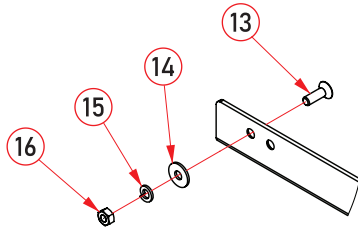
# Premium Rip Fence Assembly



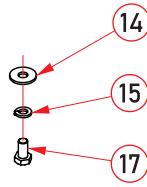
# Premium Rip Fence Assembly

No.	Description	Part No.	Qty.
1	Fence Tube	PFA-001	1
2	Fence Head	PFA-002	1
3	M6x1.0x12 Button Head Socket Bolt	PFA-003	4
4	M6 Lock Washer	PFA-004	6
5	M6x13x1.5 Washer	PFA-005	6
6	Cam Lock	PFA-006	1
7	Fence Handle	PFA-007	1
8	M10x1.5x45 Hex Head Bolt	PFA-008	1
9	M10x1.5 Lock Nut	PFA-009	1
10	Flex Arm	PFA-010	1
11	M5x0.8x8 Flat Head Phillips Bolt	PFA-011	2
12	Flex Arm Glide Plate	PFA-012	4
13	Flex Plate	PFA-013	1
14	Flex Plate Friction Pad	PFA-014	1
15	M6x1.0x12 Socket Head Cap Bolt	PFA-015	2
16	M6x36 Spring Pin	PFA-016	1
17	Leveling Adjustment Screw M12x1.75	PFA-017	2
18	Position Indicator Lens	PFA-018	2
19	M6x1.0x8 Button Head Phillips Bolt	PFA-019	4
20	M6x1.0x8 Set Screw	PFA-020	2
21	Fence Endcap	PFA-021	1
22	M4x1.59x12 Button Head Phillips Screw	PFA-022	4
24	Silver Adhesive Label	PFA-024	4
25	SawStop Label	PFA-025	1
26	Fence Roller Assembly	PFA-049	1
27	M4x0.7x8 Flat Head Phillips Bolt	PFA-050	2
<b>Accessories</b>			
N/A	Hardware Pack	PFA-026	1
N/A	Premium Fence Assembly Installation Poster	PFA-027	1
N/A	Premium Fence Assembly Owner's Manual	PFA-028	1

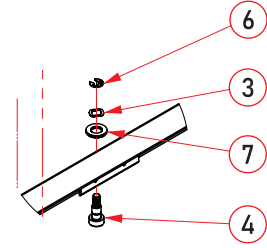
# Premium Rails and Extension Table Assembly



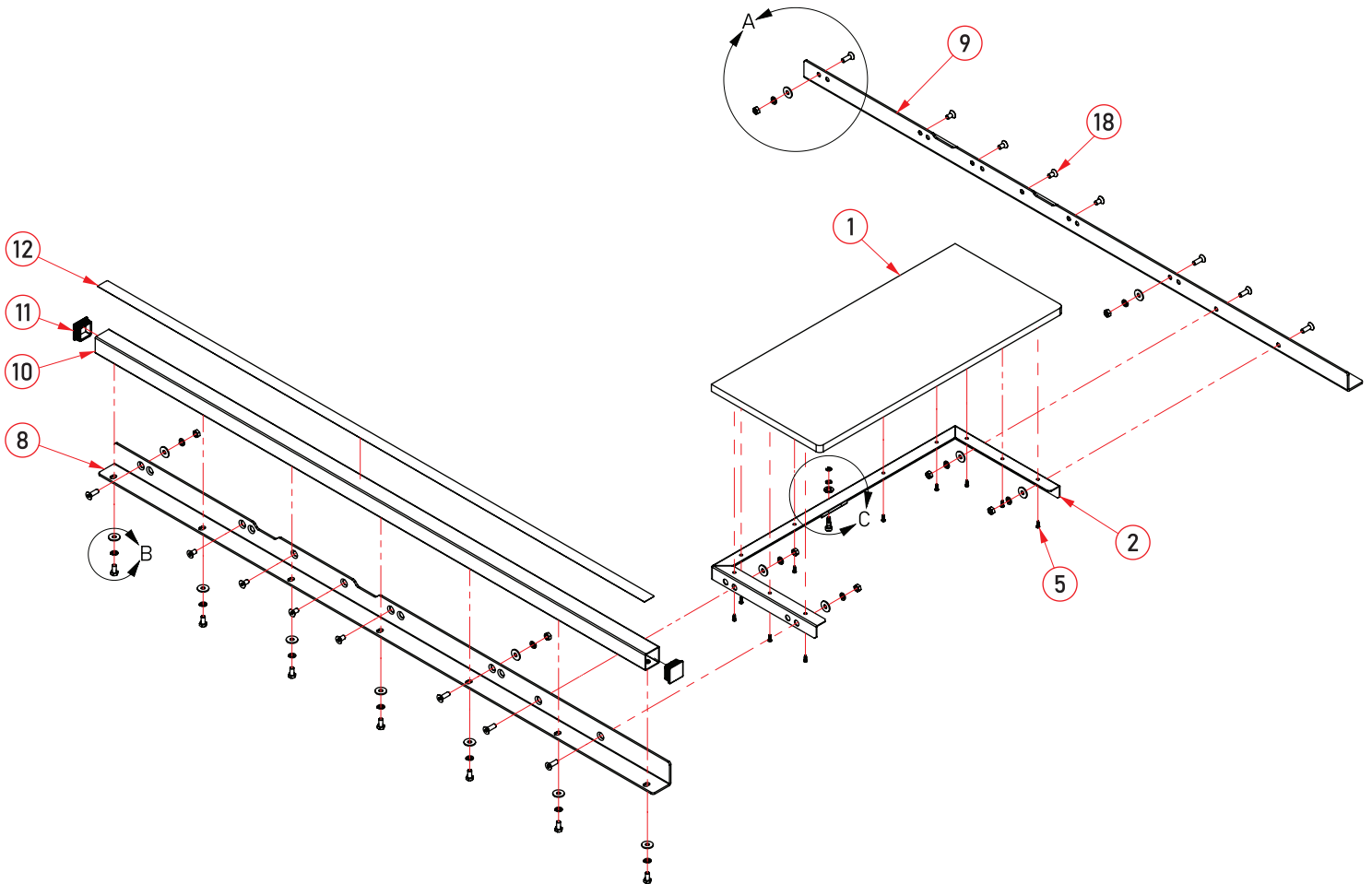
DETAIL A  
SCALE 1 : 5  
8X HARDWARE



DETAIL B  
SCALE 1 : 5  
6X HARDWARE



DETAIL C  
SCALE 1 : 5



# Premium Rails and Extension Table Assembly

---

No.	Description	Part No.	Qty.
1	Table, 30 Inch Extension, PFA	PFA-044	1
2	Bracket, Mounting, 30" Table, PFA	PFA-045	1
3	Washer, M8, Wave, 12.5mm OD	PFA-036	1
4	Bolt, Shoulder, 8mm ODx15mm, M6x1.0, Custom Socket, PFA	PFA-034	1
5	M4x1.59x12 Button Head Phillips Screw	PFA-046	10
6	Retaining Ring, E-Style, 8mm	PFA-037	1
7	Washer, M9, Flat, 18.3mm ODx2.3mm THK	PFA-035	1
8	Rail, Front, PFA	PFA-039	1
9	Rail, Rear, PFA	PFA-040	1
10	Tube, Main Rail, 30 Inch, PFA	PFA-041	1
11	End Cap, Main Tube, PFA	PFA-042	2
12	Ruler, PFA	PFA-043	1
13	Bolt, M8x1.25, 25mm, Flat Head, Socket	PFA-030	8
14	Washer, M8, Flat, 23mm ODx2mm THK	PFA-031	15
15	Washer, M8, Lock	PFA-032	15
16	Nut, M8x1.25, 13mm, Hex	PFA-033	8
17	Bolt, M8x1.0, 16mm, Hex Head	PFA-038	7
18	Bolt, M8x1.25, 16mm, Flat Head, Socket	PFA-029	8



**SawStop, LLC**  
11555 SW Myslony Street  
Tualatin, Oregon 97062 USA  
[SawStop.com](http://SawStop.com)

Main Phone - (503) 570-3200  
Service - (503) 582-9934  
Fax - (503) 570-3303  
Email: [info@SawStop.com](mailto:info@SawStop.com)