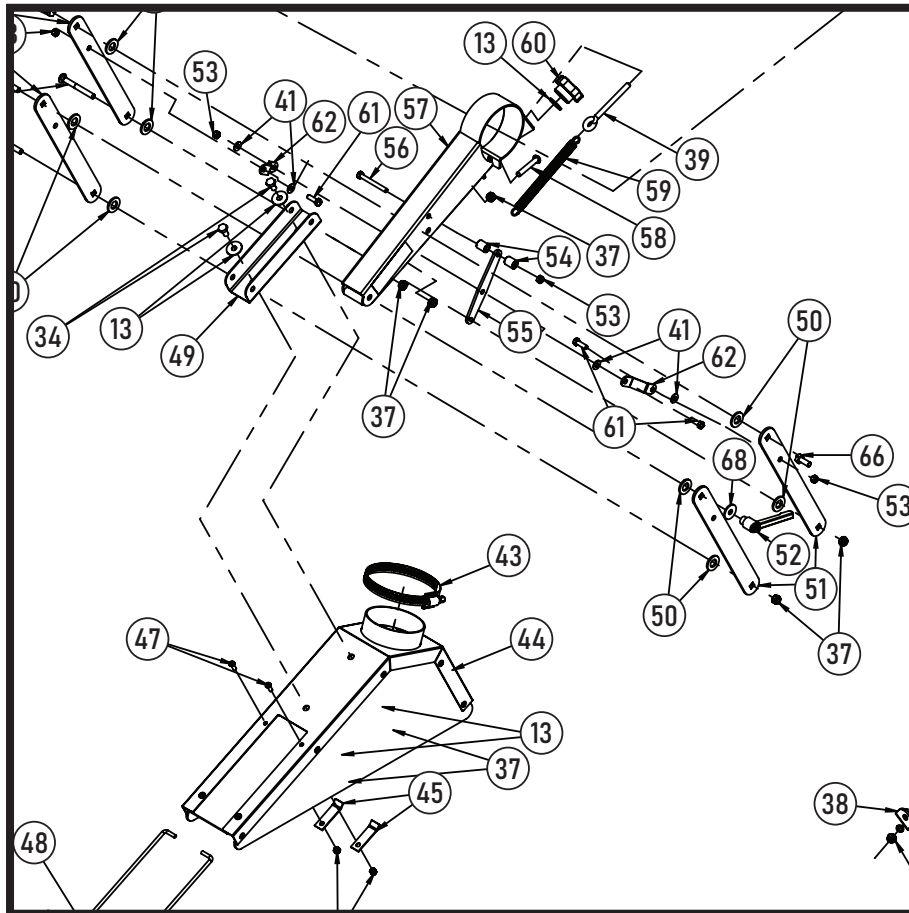




Model TSG-FDC

# Floating Dust Collection Guard

## Parts List



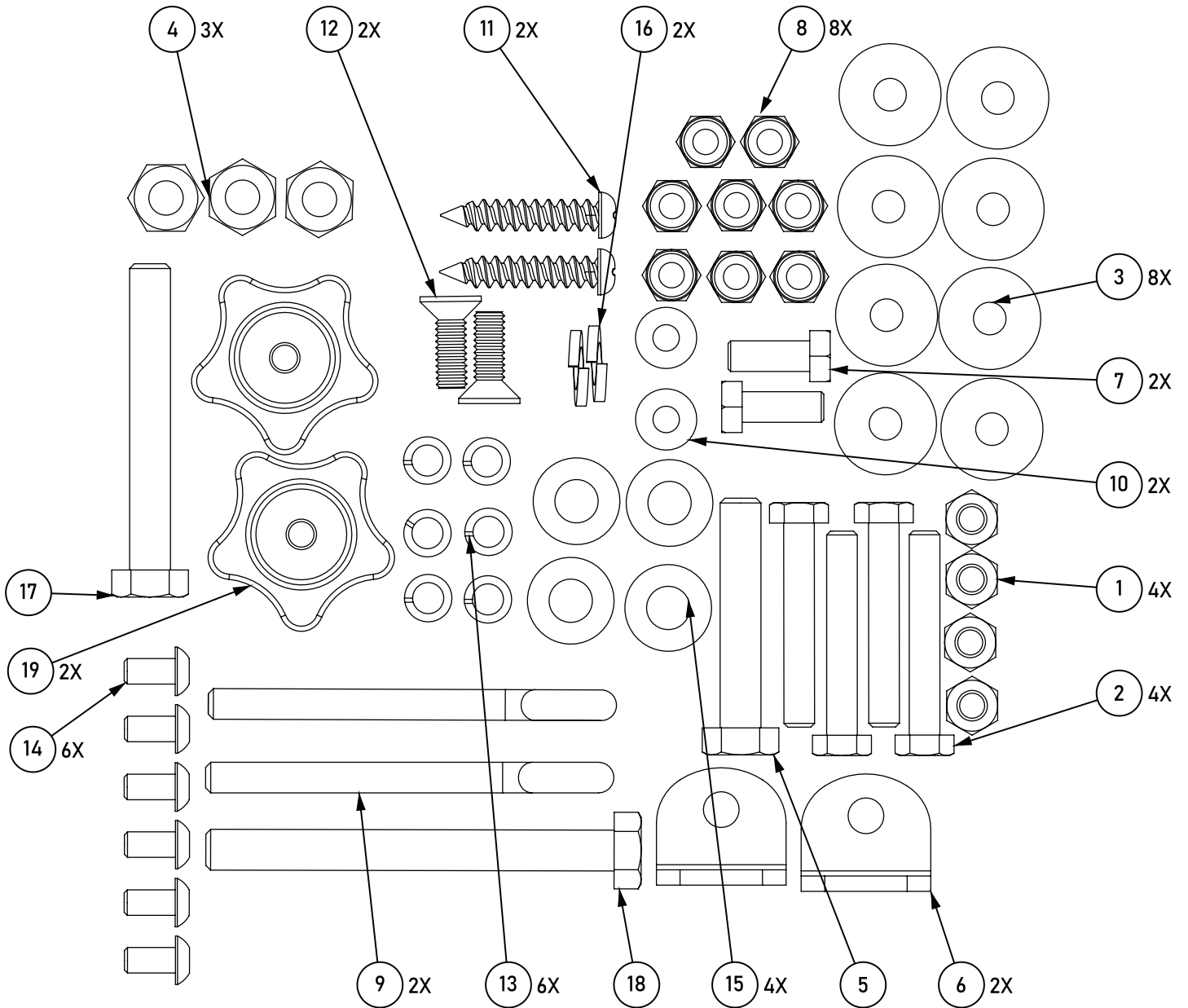
## Table of Contents

<b>Hardware Bag - TSG-FDC-118</b> .....	<b>3</b>
<b>Dust Tube Assembly - TSG-FDC-WA-002</b> .....	<b>5</b>
<b>Floating Guard Assembly - TSG-FDC-WA-003</b> .....	<b>6</b>
<b>Dust Tube Hardware Kit - TSG-FDC-WA-0002</b> .....	<b>7</b>
<b>Dust Tube Guide Bar - TSG-FDC-074</b> .....	<b>8</b>
<b>Dust Tube Guide Sleeve - TSG-FDC-103</b> .....	<b>9</b>
<b>Dust Tube Outer Sleeve - TSG-FDC-001</b> .....	<b>10</b>
<b>Floating Guard Hardware Kit - TSG-FDC-111</b> .....	<b>11</b>
<b>Mounting Bracket Assembly - TSG-FDC-112</b> .....	<b>12</b>
<b>Mounting Bracket Hardware Kit - TSG-FDC-113</b> .....	<b>14</b>
<b>Support Leg Assembly - TSG-FDC-114</b> .....	<b>16</b>
<b>Support Leg Hardware Kit - TSG-FDC-115</b> .....	<b>17</b>
<b>Extension Leg Assembly - TSG-FDC-116</b> .....	<b>18</b>
<b>Extension Leg Hardware Kit - TSG-FDC-117</b> .....	<b>19</b>



# Hardware Bag

Part Number: TSG-FDC-118

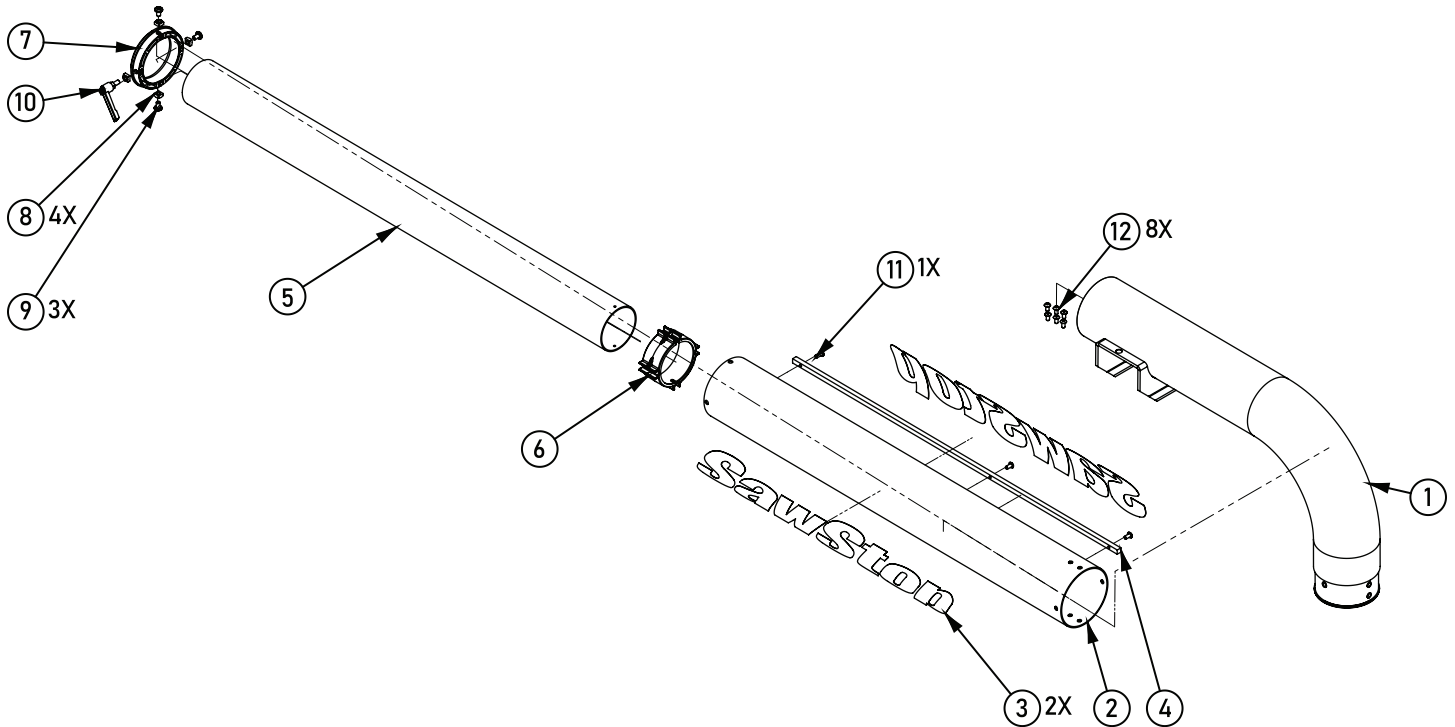


## Hardware Bag

No.	Description	Qty.
1	NUT, M6X1.0, SILVER ZINC	4
2	BOLT, M6X1.0, 40MM, HEX HEAD, SILVER ZINC	4
3	WASHER, M6, FLAT, 20MM ODX1MM THK, SILVER ZINC	8
4	NUT, M8X1.25, BLACK ZINC	3
5	BOLT, M8X1.25, 45MM, HEX HEAD, BLACK ZINC	1
6	BRACKET, MOUNTING, LEG SUPPORT, TSG-FDC	2
7	BOLT, M6X1.0, 16MM, HEX HEAD, SILVER ZINC	2
8	NUT, M6X1.0, NYLON INSERT, SILVER ZINC	8
9	EYE BOLT, 10.5MMID, M6X1.0, 80MM, SILVER ZINC	2
10	WASHER, M5, FLAT, 12MMODX0.8MMTHK, SILVER ZINC	2
11	SCREW, M5X2.1, 32MM, BUTTON HEAD, PHILLIPS, NICKEL	2
12	BOLT, M6X1.0, 18MM, FLAT HEAD, SOCKET, BLACK ZINC	2
13	WASHER, M6, LOCK, SILVER ZINC	6
14	BOLT, M5X0.8, 10MM, BUTTON HEAD, SOCKET, BLACK ZINC	6
15	WASHER, M8XFLAT, 17MM ODX2MM THK	4
16	WASHER, M8, LOCK, BLACK ZINC	2
17	BOLT, M8X1.25, 60MM, HEX HEAD	1
18	BOLT, M8X1.25, 80MM, HEX HEAD	1
19	KNOB, LOCK, EXTENSION LEG, M6, TSG-FDC	2

# Dust Tube Assembly

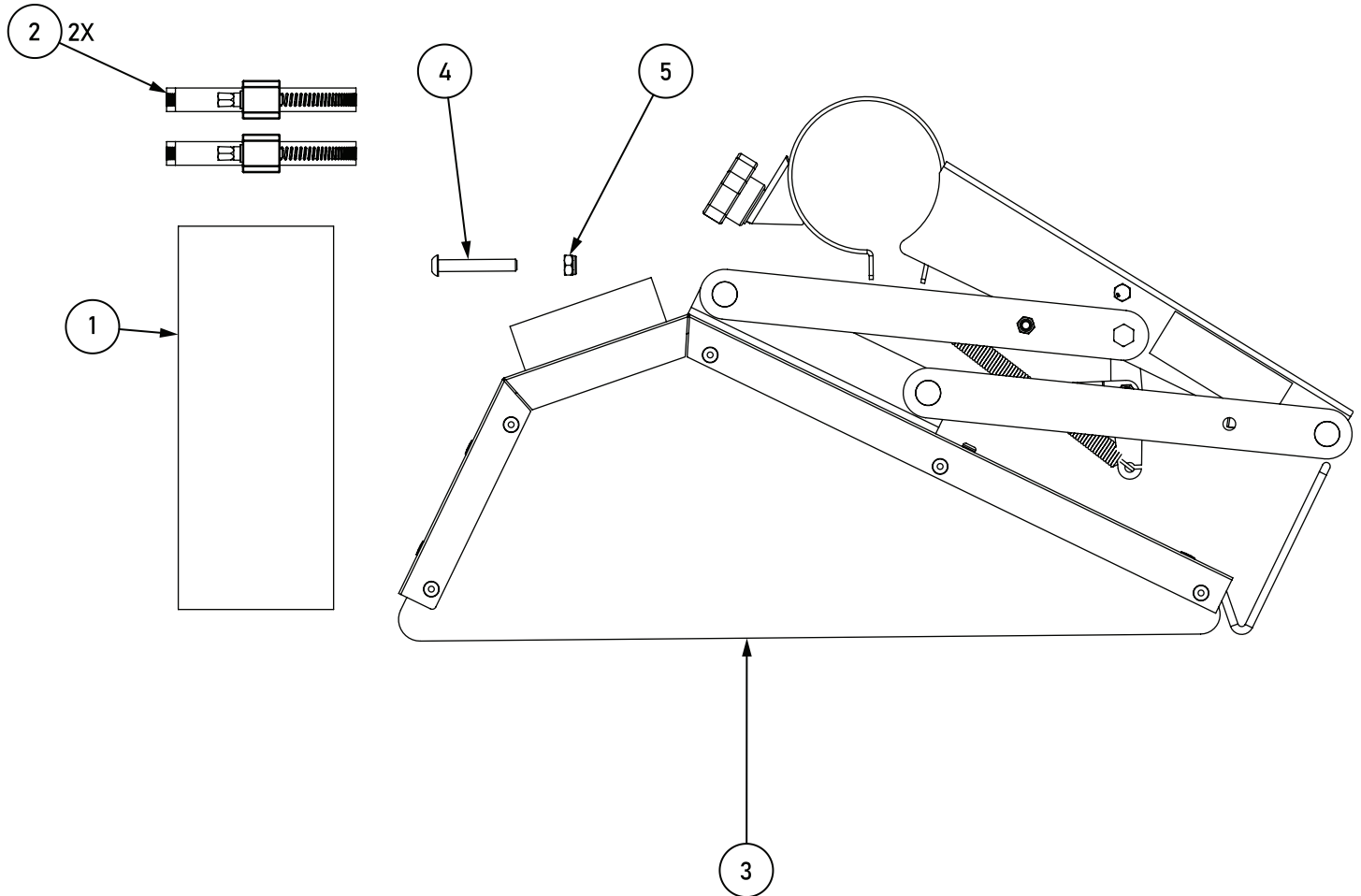
Part Number: TSG-FDC-WA-002



No.	Description	Qty.
1	TUBE, OUTER DUST ASSEMBLY, CURVED, SPLIT, TSG-FDC	1
2	TUBE, OUTER DUST, STRAIGHT, SPLIT, TSG-FDC	1
3	LABEL, SAWSTOP, TSG-FDC	2
4	BAR, GUIDE, DUST TUBE, SPLIT, TSG-FDC	1
5	TUBE, SHORT, INNER DUST, TSG-FDC	1
6	GUIDE SLEEVE, DUST TUBE, SPLIT, TSG-FDC	1
7	SLEEVE, DUST TUBE, OUTER, TSG-FDC	1
8	NUT, M6X1.0, SQUARE	4
9	BOLT, M6X1.0, 10mm, PAN HEAD, PHILLIPS, BLACK ZINC	3
10	KNOB, DUST TUBE, LOCK, M6, TSG-FDC	1
11	BOLT, M5X0.8, 12MM, BUTTON HEAD, SOCKET, BLACK ZINC	1
12	BOLT, M5X0.8, 10MM, BUTTON HEAD, SOCKET, BLACK ZINC	8

# Floating Guard Assembly

Part Number: TSG-FDC-WA-003

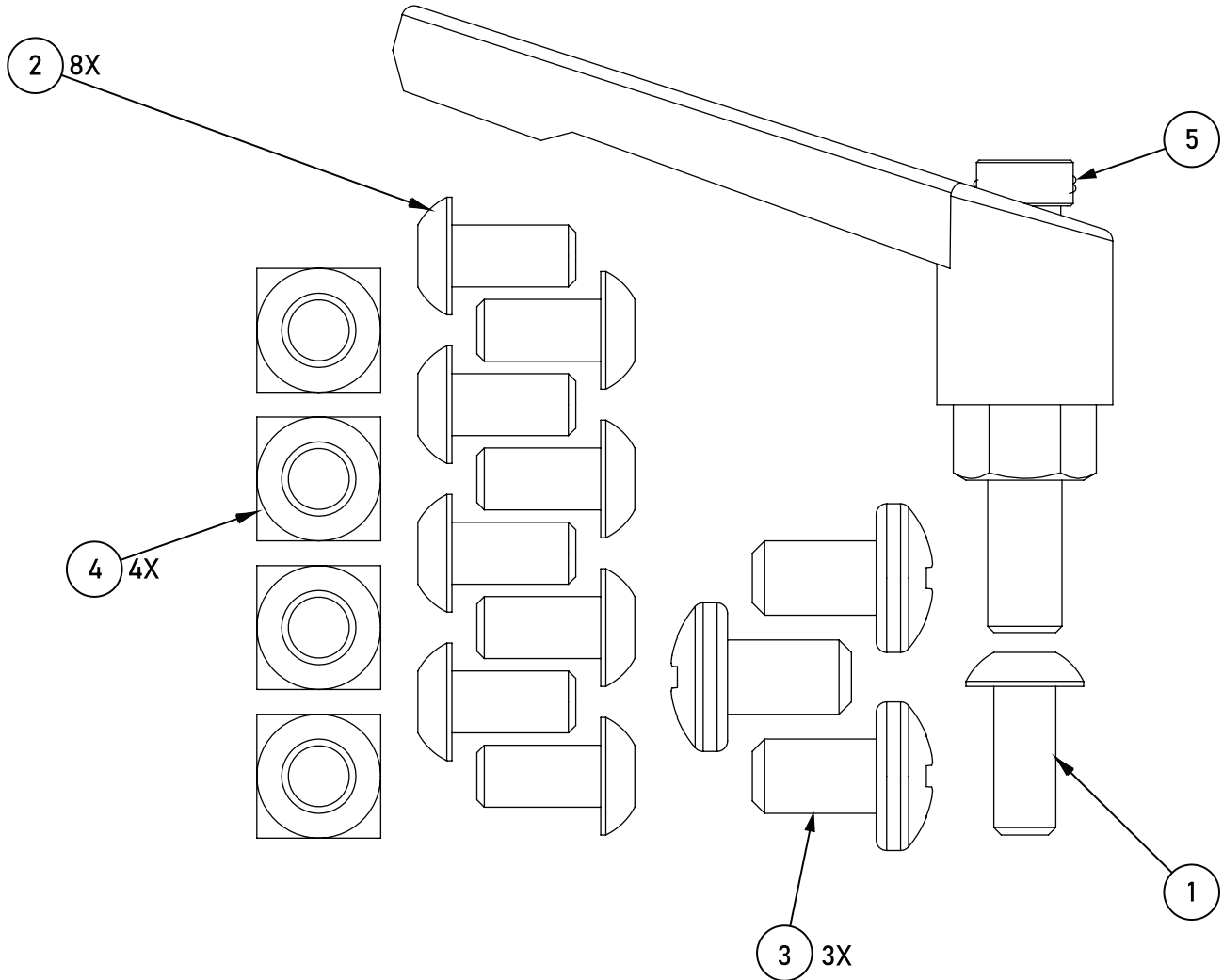


No.	Description	Qty.
1	HOSE, DUST COLLECTION, 3", TSG-FDC	1
2	CLAMP, HOSE, 3.5", PHILLIPS ADJUST	2
3	FLOATING BLADE GUARD ASSEMBLY, TSG-FDC	1
4	BOLT, M6X1.0, 40MM, BUTTON HEAD, SOCKET, BLACK ZINC	1
5	NUT, M6X1.0, NYLON INSERT, SILVER ZINC	1



# Dust Tube Hardware Kit

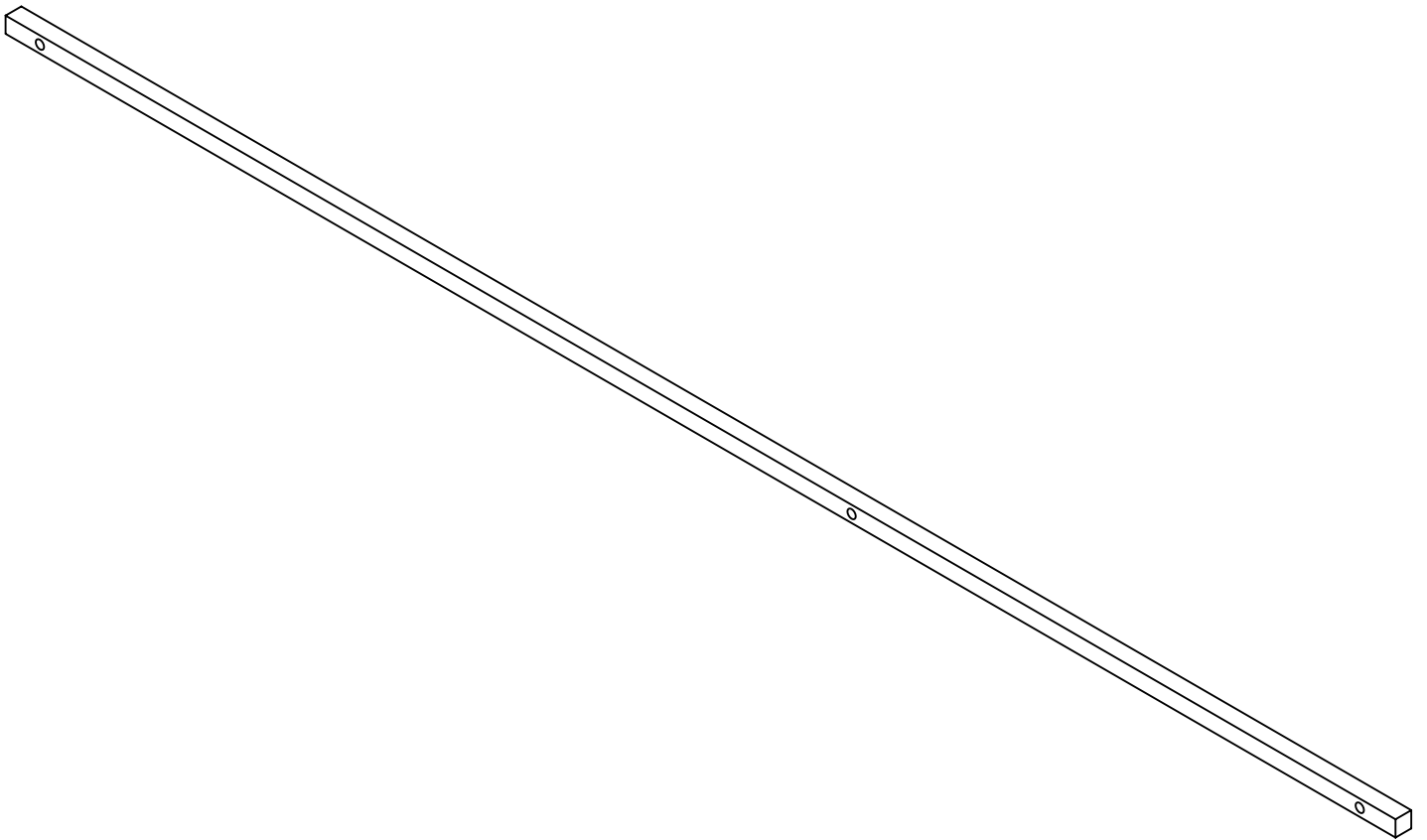
Part Number: TSG-FDC-WA-0002



No.	Description	Qty.
1	BOLT, M5X0.8, 12MM, BUTTON HEAD, SOCKET, BLACK ZINC	1
2	BOLT, M5X0.8, 10MM, BUTTON HEAD, SOCKET, BLACK ZINC	8
3	BOLT, M6X1.0, 10MM, PAN HEAD, PHILLIPS, BLACK ZINC	3
4	NUT, M6X1.0, SQUARE	4
5	KNOB, DUST TUBE, LOCK, M6, TSG-FDC	1

# Dust Tube Guide Bar

Part Number: TSG-FDC-074

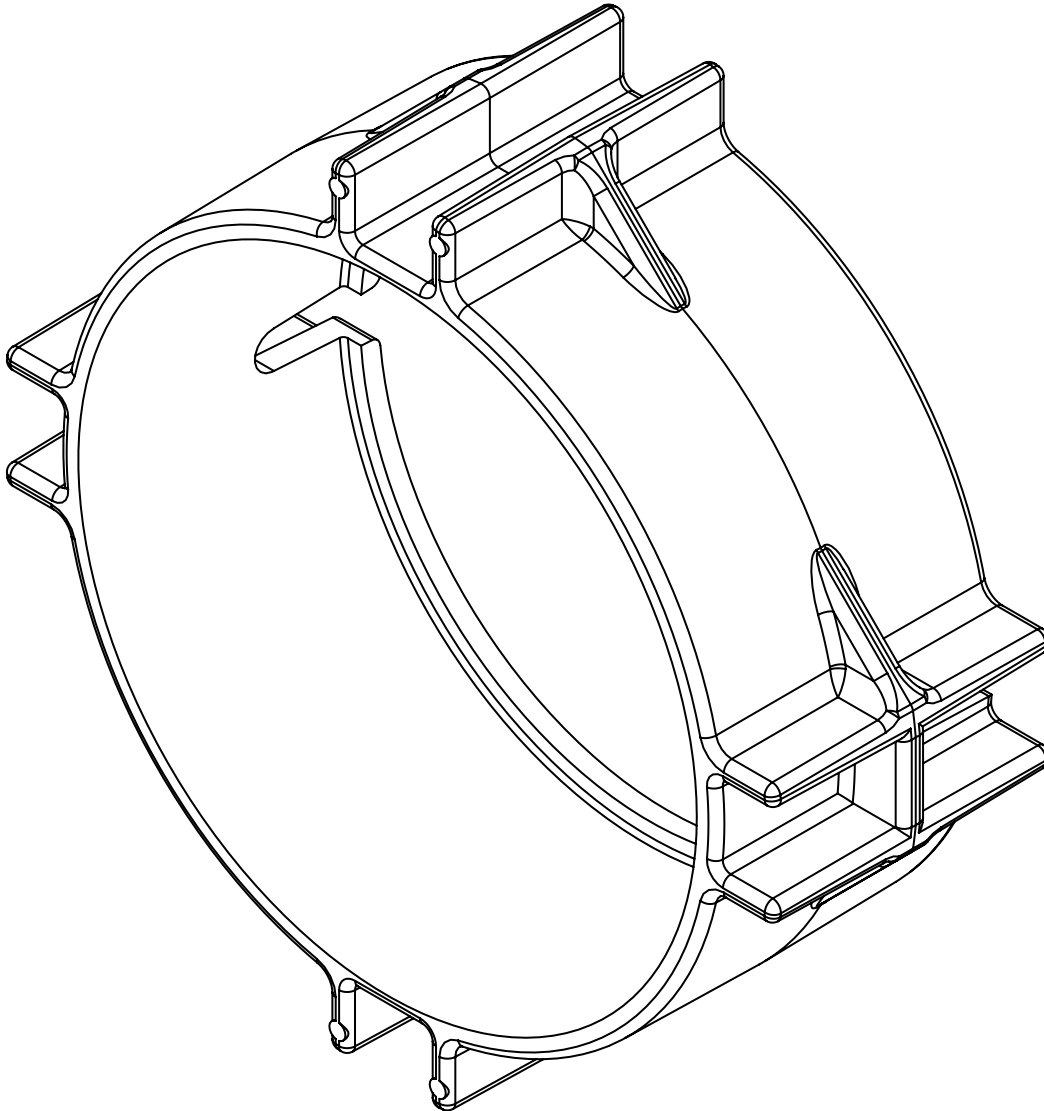


No.	Description	Qty.
1	BAR, GUIDE, DUST TUBE, SPLIT, TSG-FDC	1



# Dust Tube Guide Sleeve

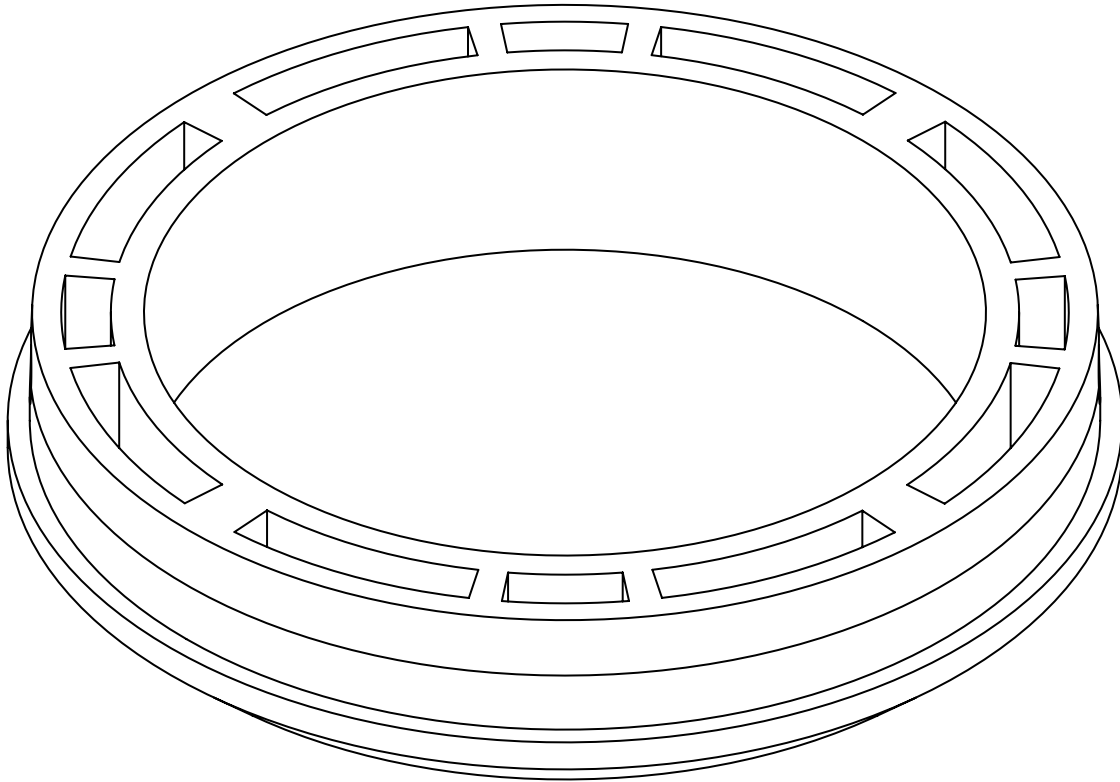
Part Number: TSG-FDC-103



No.	Description	Qty.
1	GUIDE SLEEVE, DUST TUBE, SPLIT, TSG-FDC	1

# Dust Tube Outer Sleeve

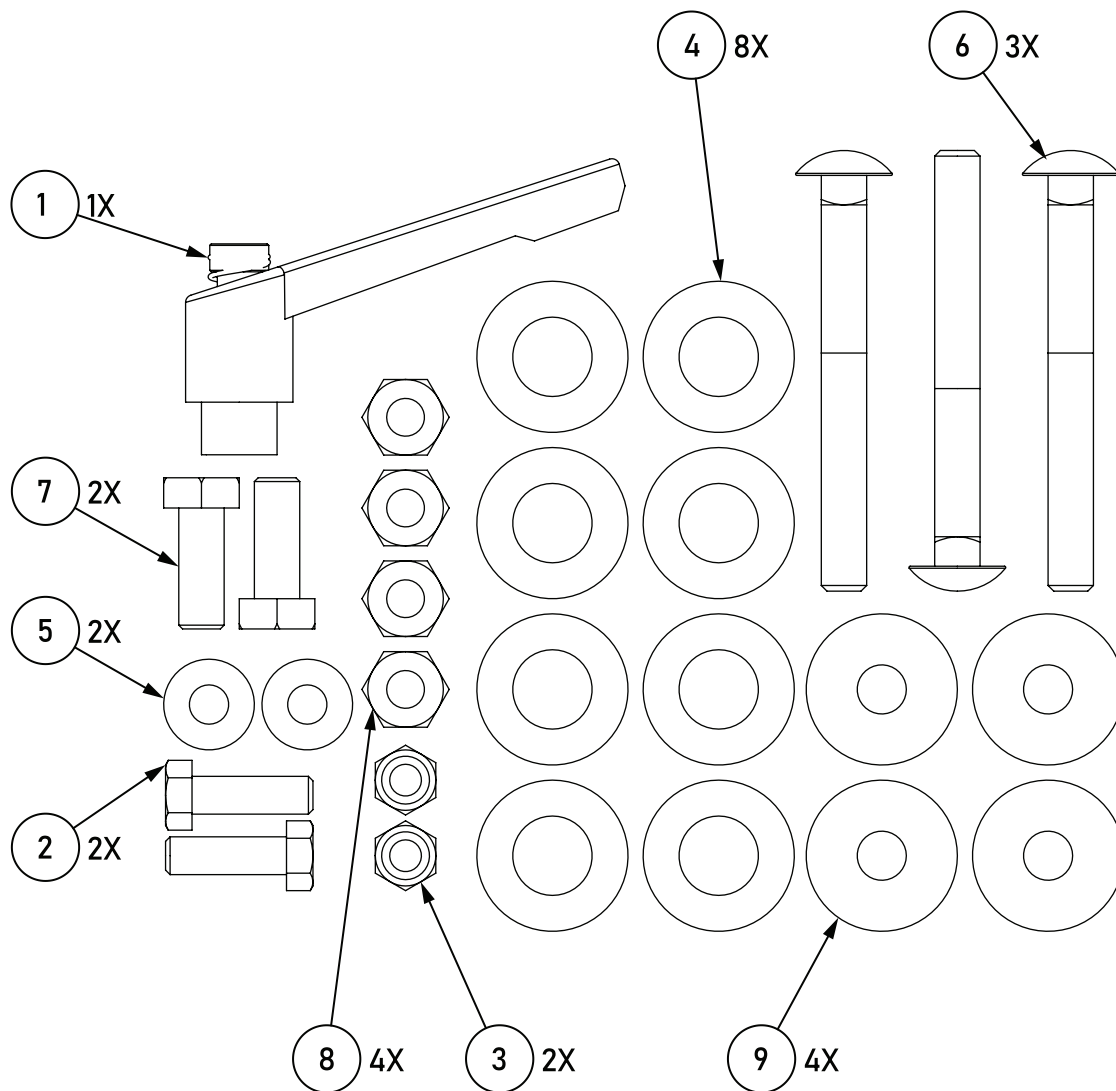
Part Number: TSG-FDC-001



No.	Description	Qty.
1	SLEEVE, DUST TUBE, OUTER, TSG-FDC	1

# Floating Guard Hardware Kit

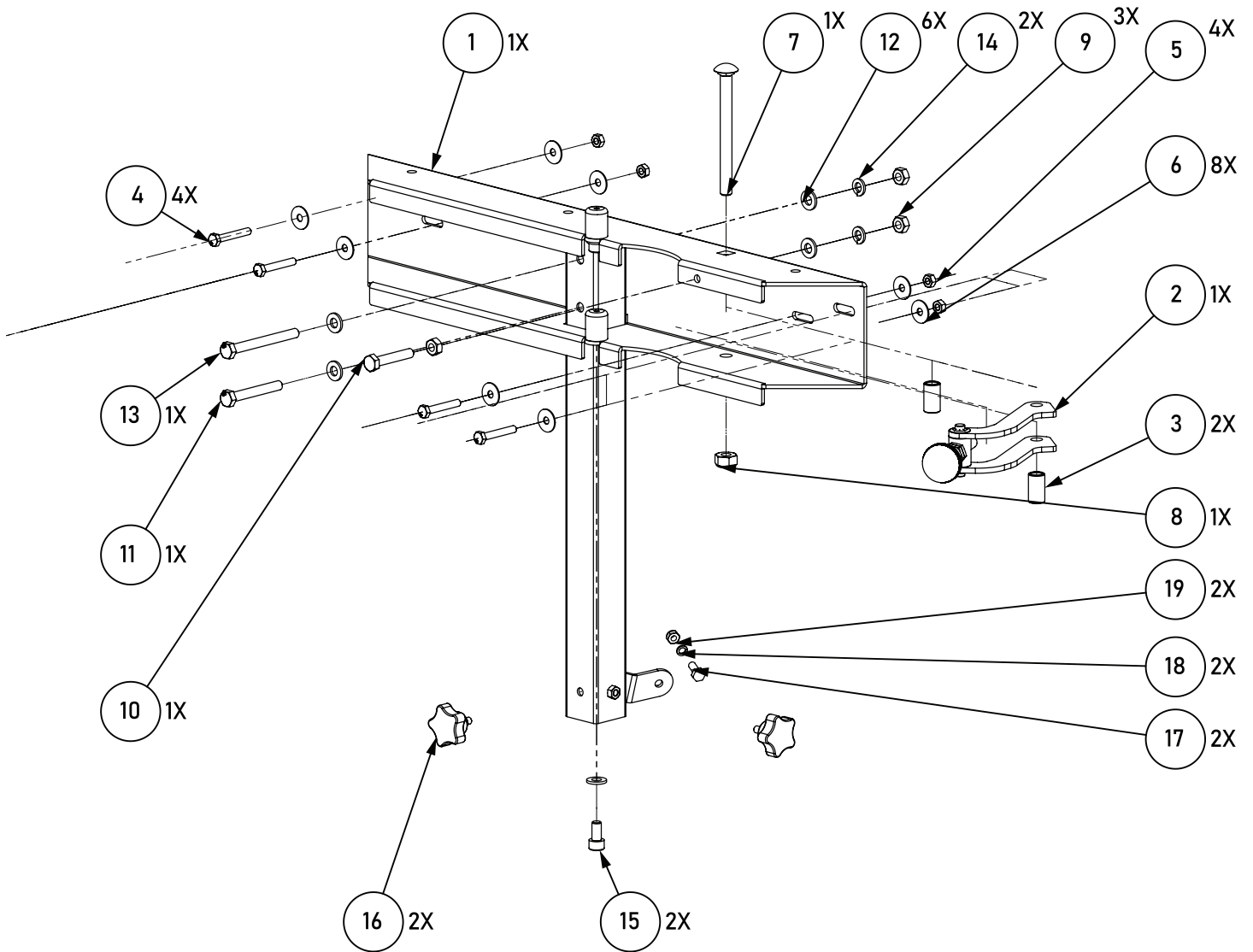
Part Number: TSG-FDC-111



No.	Description	Qty.
1	HANDLE, LOCK, M6X1.0, FEMALE, TSG-FDC	1
2	BOLT, M5X0.8, 16MM, HEX HEAD, SILVER ZINC	2
3	NUT, M5X0.8, NYLON INSERT, SILVER ZINC	2
4	WASHER, M10, 20MMODX2MMTHK, PLASTIC	8
5	WASHER, M5, FLAT, 12MMODX0.8MMTHK, SILVER ZINC	2
6	BOLT, M6X1.0, 55MM, CARRIAGE HEAD, 8.8 ALLOY, SILVER ZINC	3
7	BOLT, M6X1.0, 16MM, HEX HEAD, SILVER ZINC	2
8	NUT, M6X1.0, NYLON INSERT, SILVER ZINC	4
9	WASHER, M6, FLAT, 20MMODX2.0THK, BLACK ZINC	4

# Mounting Bracket Assembly

Part Number: TSG-FDC-112

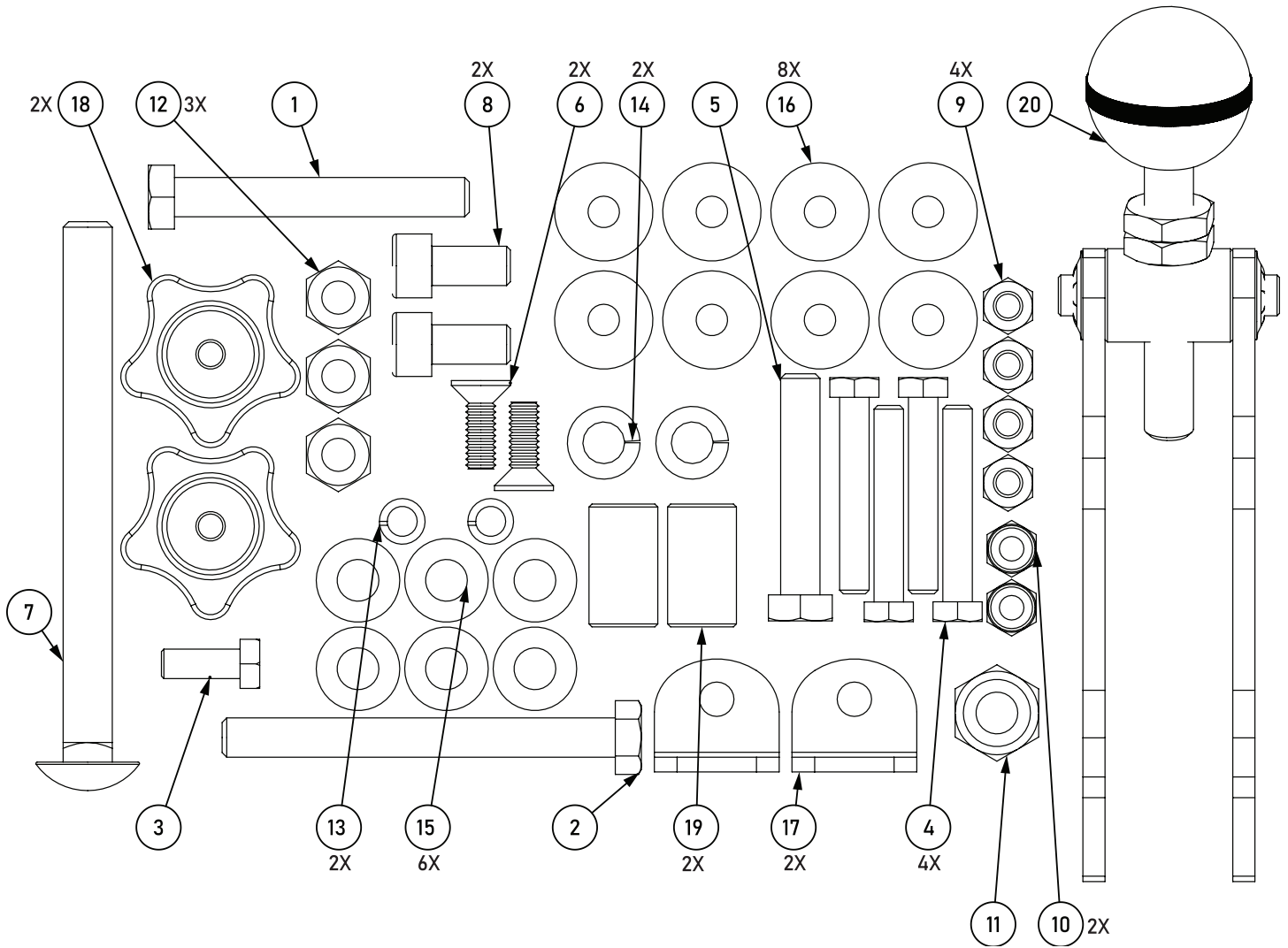


## Mounting Bracket Assembly

No.	Description	Qty.
1	BRACKET, MOUNTING, DUST COLLECTION GUARD, TSG-FDC	1
2	LOCK KNOB ASSEMBLY, DUST TUBE, TSG-FDC	1
3	SPACER, DUST TUBE PIVOT, 10MMIDX15MMODX26MM, TSG-FDC	2
4	BOLT, M6X1.0, 40MM, HEX HEAD, SILVER ZINC	4
5	NUT, M6X1.0, SILVER ZINC	4
6	WASHER, M6, FLAT, 20MM ODX1MM THK, SILVER ZINC	8
7	BOLT, M10X1.5, 110MM, CARRIAGE HEAD, SILVER ZINC	1
8	NUT, M10X1.5, NYLOCK, SILVER ZINC	1
9	NUT, M8X1.25, BLACK ZINC	3
10	BOLT, M8X1.25, 45MM, HEX HEAD, BLACK ZINC	1
11	BOLT, M8X1.25, 60MM, HEX HEAD	1
12	WASHER, M8XFLAT, 17MM ODX2MM THK	6
13	BOLT, M8X1.25, 80MM, HEX HEAD	1
14	WASHER, M8, LOCK, BLACK ZINC	2
15	BOLT, M8X1.25, 16MM, SOCKET HEAD CAP, BLACK ZINC	2
16	KNOB, LOCK, EXTENSION LEG, M6, TSG-FDC	2
17	BOLT, M6X1.0, 16MM, HEX HEAD, SILVER ZINC	2
18	WASHER, M6, LOCK, SILVER ZINC	2
19	NUT, M6X1.0, NYLON INSERT, SILVER ZINC	2

# Mounting Bracket Hardware Kit

Part Number: TSG-FDC-113

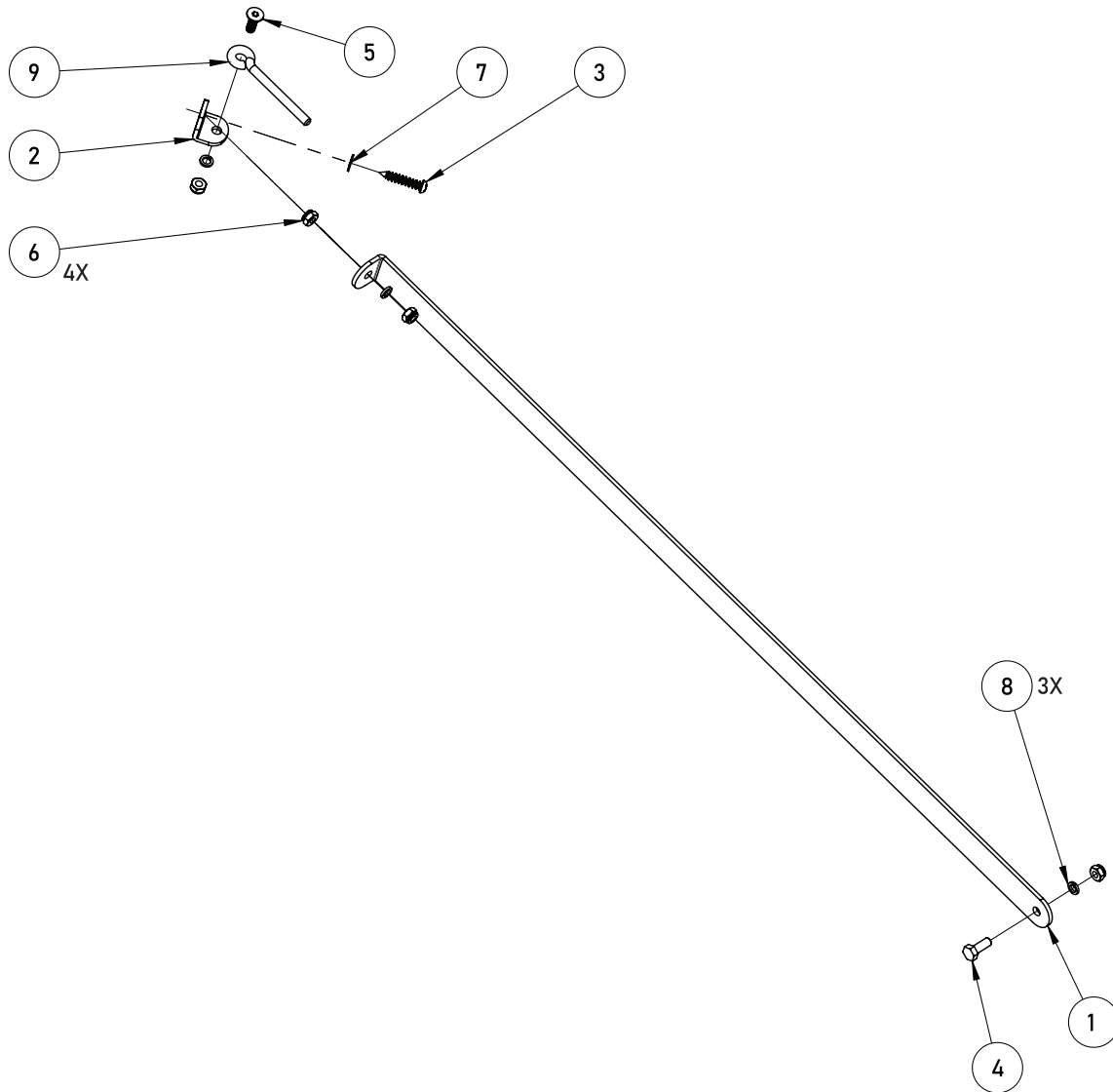


## Mounting Bracket Hardware Kit

No.	Description	Qty.
1	BOLT, M8X1.25, 60MM, HEX HEAD	1
2	BOLT, M8X1.25, 80MM, HEX HEAD	1
3	BOLT, M6X1.0, 16MM, HEX HEAD, SILVER ZINC	1
4	BOLT, M6X1.0, 40MM, HEX HEAD, SILVER ZINC	4
5	BOLT, M8X1.25, 45MM, HEX HEAD, BLACK ZINC	1
6	BOLT, M6X1.0, 18MM, FLAT HEAD, SOCKET, BLACK ZINC	2
7	BOLT, M10X1.5, 110MM, CARRIAGE HEAD, SILVER ZINC	1
8	BOLT, M8X1.25, 16MM, SOCKET HEAD CAP, BLACK ZINC	2
9	NUT, M6X1.0, SILVER ZINC	4
10	NUT, M6X1.0, NYLON INSERT, SILVER ZINC	2
11	NUT, M10X1.5, NYLOCK, SILVER ZINC	1
12	NUT, M8X1.25, BLACK ZINC	3
13	WASHER, M6, LOCK, SILVER ZINC	2
14	WASHER, M8, LOCK, BLACK ZINC	2
15	WASHER, M8XFLAT, 17MM ODX2MM THK	6
16	WASHER, M6, FLAT, 20MM ODX1MM THK, SILVER ZINC	8
17	BRACKET, MOUNTING, LEG SUPPORT, TSG-FDC	2
18	KNOB, LOCK, EXTENSION LEG, M6, TSG-FDC	2
19	SPACER, DUST TUBE PIVOT, 10MMIDX15MMODX26MM, TSG-FDC	2
20	LOCK KNOB ASSEMBLY, DUST TUBE, TSG-FDC	1

# Support Leg Assembly

Part Number: TSG-FDC-114

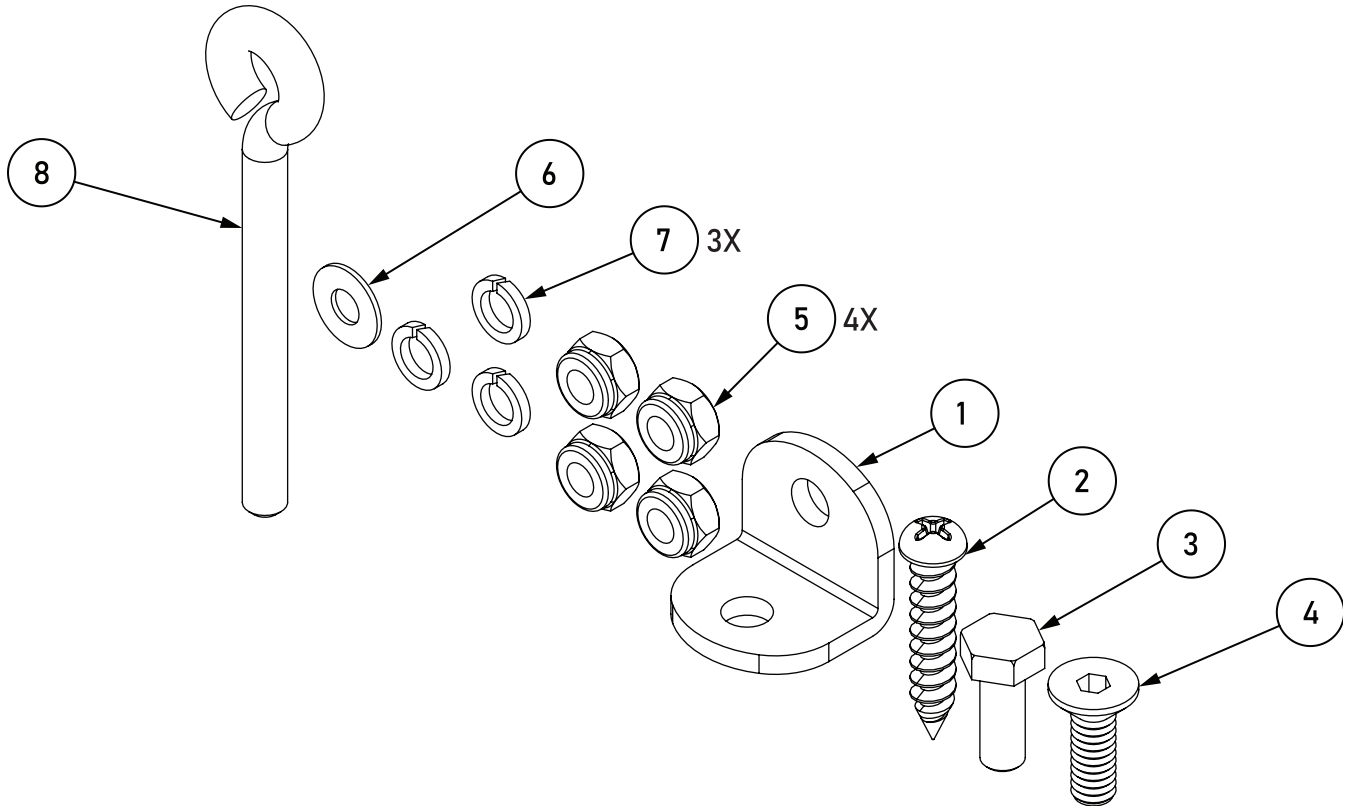


No.	Description	Qty.
1	BRACKET, LEG SUPPORT, TSG-FDC	1
2	BRACKET, MOUNTING, LEG SUPPORT, TSG-FDC	1
3	SCREW, M5X2.1, 32MM, BUTTON HEAD, PHILLIPS, NICKEL	1
4	BOLT, M6X1.0, 16MM, HEX HEAD, SILVER ZINC	1
5	BOLT, M6X1.0, 18MM, FLAT HEAD, SOCKET, BLACK ZINC	1
6	NUT, M6X1.0, NYLON INSERT, SILVER ZINC	4
7	WASHER, M5, FLAT, 12MMODX0.8MMTHK, SILVER ZINC	1
8	WASHER, M6, LOCK, SILVER ZINC	3
9	EYE BOLT, 10.5MMID, M6X1.0, 80MM, SILVER ZINC	1



# Support Leg Hardware Kit

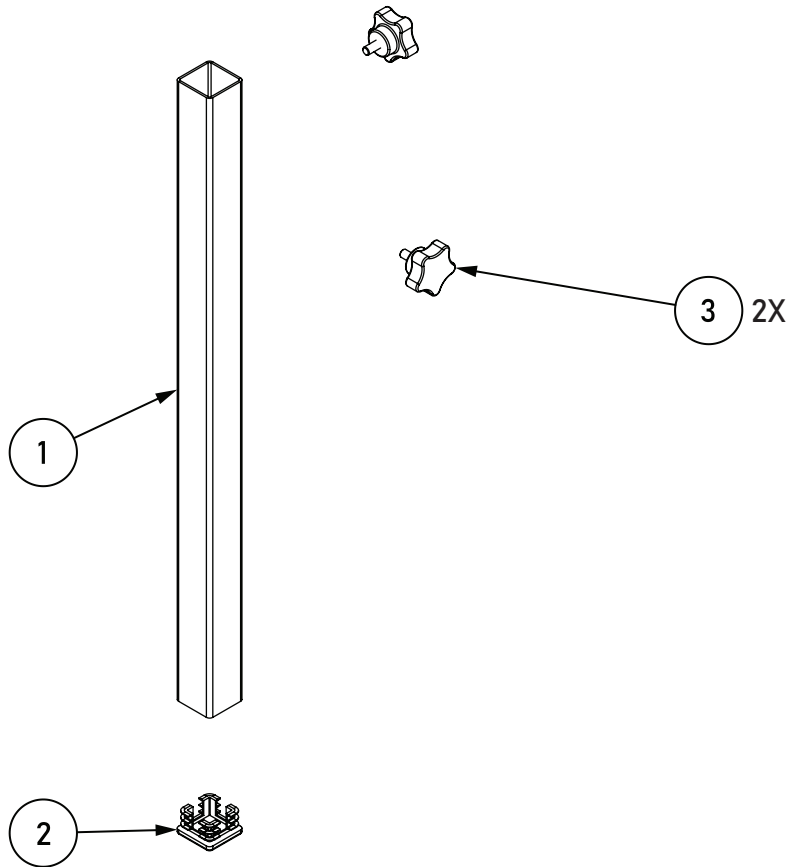
Part Number: TSG-FDC-115



No.	Description	Qty.
1	BRACKET, MOUNTING, LEG SUPPORT, TSG-FDC	1
2	SCREW, M5X2.1, 32MM, BUTTON HEAD, PHILLIPS, NICKEL	1
3	BOLT, M6X1.0, 16MM, HEX HEAD, SILVER ZINC	1
4	BOLT, M6X1.0, 18MM, FLAT HEAD, SOCKET, BLACK ZINC	1
5	NUT, M6X1.0, NYLON INSERT, SILVER ZINC	4
6	WASHER, M5, FLAT, 12MMODX0.8MMTHK, SILVER ZINC	1
7	WASHER, M6, LOCK, SILVER ZINC	3
8	EYE BOLT, 10.5MMID,M6X1.0, 80MM, SILVER ZINC	1

# Extension Leg Assembly

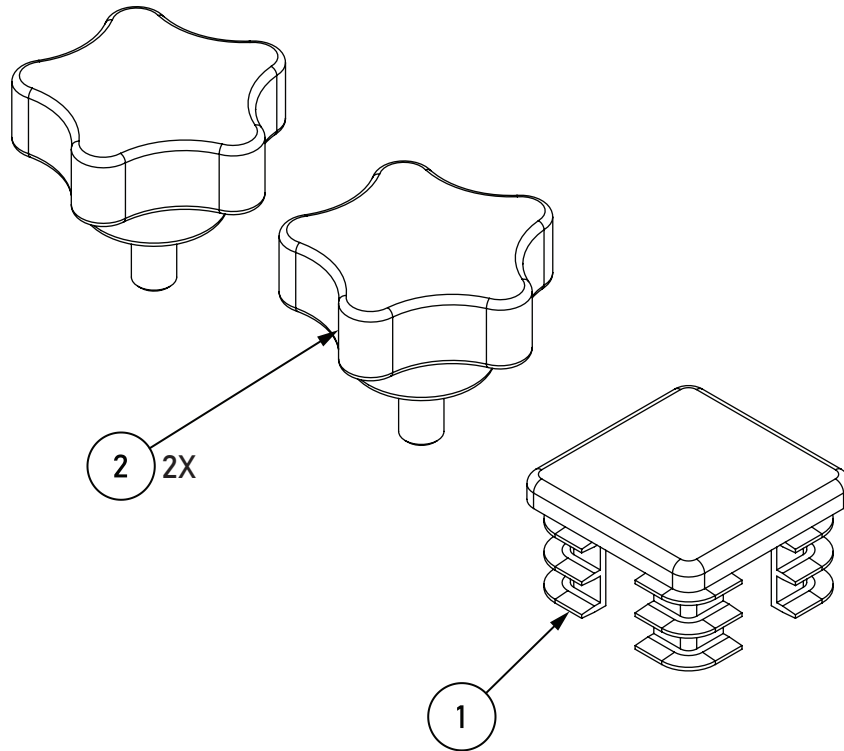
Part Number: TSG-FDC-116



No.	Description	Qty.
1	LEG, EXTENSION, TSG-FDC	1
2	END CAP, LEG, TSG-FDC	1
3	KNOB, LOCK, EXTENSION LEG, M6, TSG-FDC	2

# Extension Leg Hardware Kit

Part Number: TSG-FDC-117



No.	Description	Qty.
1	END CAP,LEG,TSG-FDC	1
2	KNOB,LOCK,EXTENSION LEG,M6,TSG-FDC	2



**USA/CANADA**

**SawStop, LLC**  
11555 SW Myslony St,  
Tualatin, OR 97062 USA

Parts available for purchase at  
[SawStopStore.com](http://SawStopStore.com)

**[SawStop.com/support](http://SawStop.com/support)**

**Service**  
(503) 582-9934  
[service@SawStop.com](mailto:service@SawStop.com)

**EUROPE/UK**

**TTS Europe SE**  
73240 Wendlingen a.N., DE

**UK Rep**  
Authorised Rep Compliance Ltd., ARC House,  
Thurnham, Lancaster, LA2 0DT, UK.

**[SawStop.eu/support](http://SawStop.eu/support)**  
[SupportEurope@SawStop.com](mailto:SupportEurope@SawStop.com)

**AUSTRALIA**

**[Carbatec.com.au/contact](http://Carbatec.com.au/contact)**  
[customercare@carbatec.com.au](mailto:customercare@carbatec.com.au)