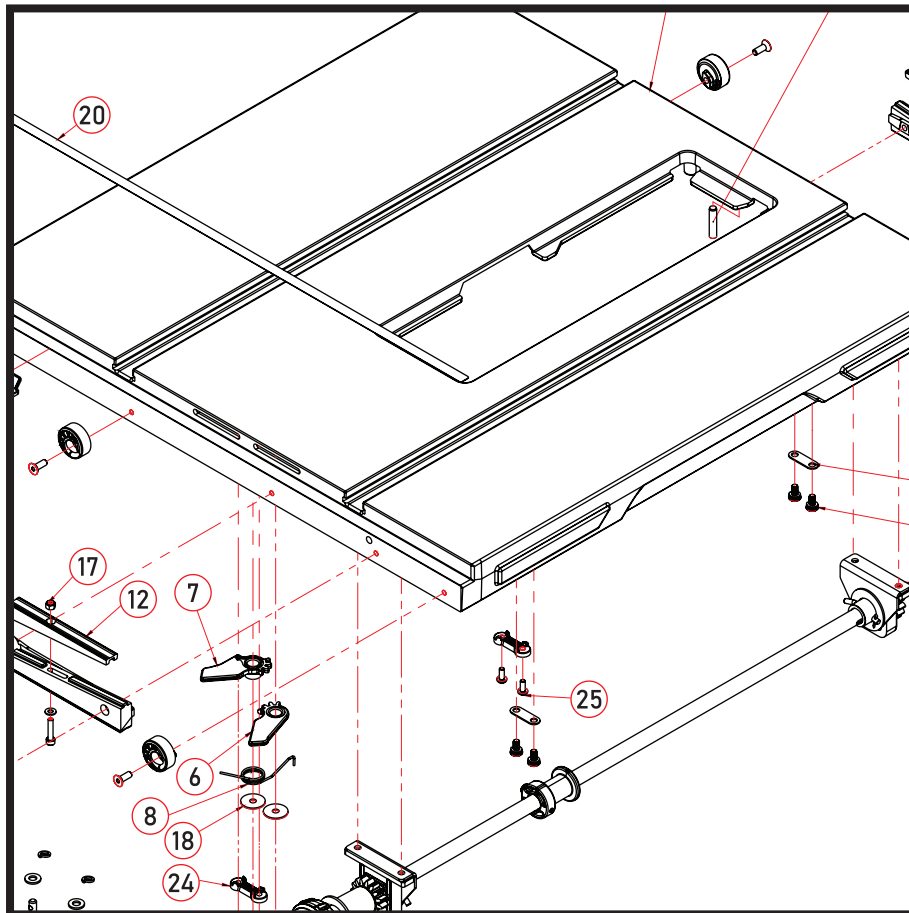




Models CTS-120A60, CTS-230A50I, CTS-230B50UK, and CTS-230B50EU

# COMPACT TABLE SAW

## Parts Lists



# Table of Contents

---

## Table and Fence

Front Rail CTS-002 .....	4
Ruler Label CTS-073, CTS-074, and CTS-099.....	5
Rear Rail CTS-003.....	6
Fence Rails Hardware Bag CTS-004 .....	7
Puck CTS-005.....	8
Fence Stop CTS-006 .....	9
Fence Lens CTS-007.....	10
Rail Lock Handle CTS-010 .....	11
Rail Lock Pinion CTS-011.....	12
Rail Lock Rocker CTS-012 .....	13
Fence Assembly CTS-052 .....	14
Front-Fence Head Assembly CTS-053 .....	15
Rear-Fence Head Assembly CTS-054.....	16
Fence Tube Assembly CTS-055.....	17
Fence Shelf Assembly CTS-056 .....	18

## Saw Body

Dust Shroud CTS-013 and CTS-102.....	19
Dust Curtain CTS-014 .....	20
Motor Cover CTS-015 and CTS-104.....	21
Trunnion Motor Cover CTS-016 .....	22
Frame Handle CTS-017 .....	23
Front Panel CTS-018 .....	24
Front-Right Support Foot CTS-019 .....	25
Front-Left Support Foot CTS-020.....	26
Rear-Right Support Foot CTS-021.....	27
Rear-Left Support Foot CTS-022 .....	28
Rear-Center Support Foot CTS-023.....	29
Support Foot CTS-024.....	30
Cord Retainer Clamp CTS-025.....	31
Cord Wrap Retainer CTS-026.....	32
Storage Assembly CTS-057.....	33
Storage Box Lock Handle CTS-058 .....	34
Storage Box Insert CTS-059 .....	35
Tilt Label CTS-075.....	36
Front Logo Label CTS-076 .....	37
Storage Logo Label CTS-077.....	38

## Internal Assemblies

Brake Cartridge Bracket CTS-027 .....	39
Retraction Bracket CTS-029 .....	40
Retraction Block CTS-030 .....	41
Alignment Block CTS-032.....	42



Elevation Bevel Handwheel CTS-033.....	43
Bevel Assembly CTS-034.....	44
Bevel Rack CTS-035 .....	45
Elevation Control Shaft CTS-036.....	46
U-Joint CTS-037.....	47
Riving Knife Clamp Assembly CTS-049.....	48

## Motor and Power

Switch Box Assembly CTS-038.....	49
120VAC Power Cable CTS-039 .....	50
230VAC Power Cable CTS-040 .....	51
230VAC Power Cable CTS-106 .....	52
230VAC Power Cable CTS-107 .....	53
Cable Assembly and EMC Filter CTS-041 .....	54
120V, 60Hz Motor CTS-042.....	55
230V, 50Hz Motor CTS-043 .....	56
Motor Brush CTS-045.....	57

## Accessories

Spreader CTS-050.....	58
Riving Knife CTS-051 and CTS-072 .....	59
Standard Table Saw Insert CTS-TSI .....	60
Table Insert Latch Assembly CTS-009.....	61
Micro-Guard Blade Guard Assembly CTS-101.....	62
Micro-Guard Blade Guard Top Assembly CTS-047 .....	63
Anti-Kickback Pawl Assembly CTS-048 .....	64
Miter Gauge Assembly CTS-065.....	65
Push Stick CTS-066.....	66
Arbor Nut Hardware Bag CTS-031 and CTS-105.....	67
Arbor Nut Wrench CTS-067 .....	68
Arbor Flange Wrench CTS-068 .....	69
4mm Hex L-Wrench CTS-069 .....	70
Owner's Manual and Quick Start Guide CTS-097 and CTS-111 .....	71

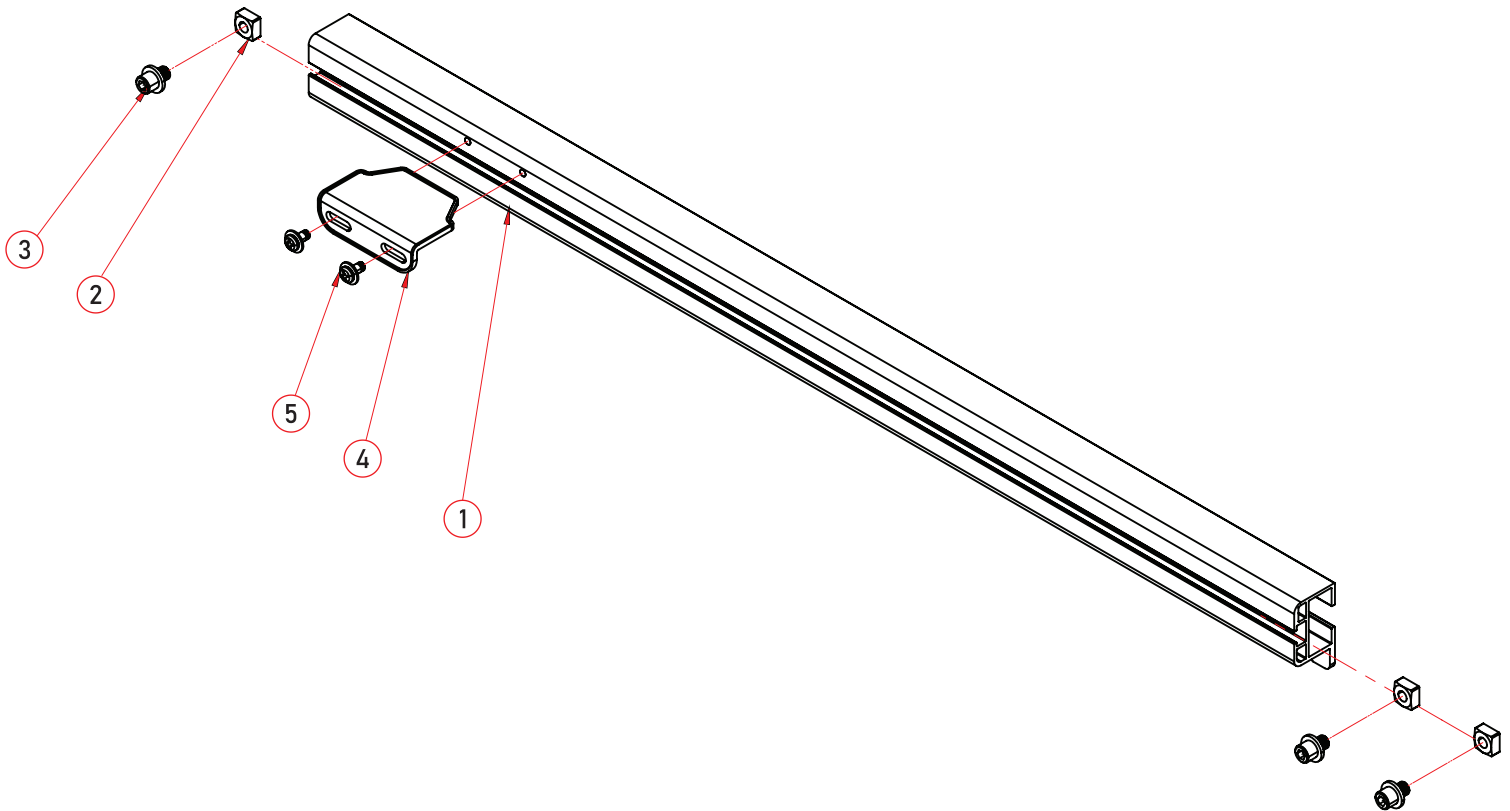
## Stand

Extension Leg CTS-060.....	72
CTS Clamp CTS-061.....	73
Stand Frame Bumper CTS-062.....	74
Stand Pivot Hardware Bag CTS-063.....	75
Stand Hardware Bag CTS-064.....	76



# Front Rail

Part Number: CTS-002



## BILL OF MATERIALS

ITEM NO.	DESCRIPTION	QTY
1	Rail, Front, CTS	1
2	Nut, M6x1.0, Square, Black Zinc	3
3	Bolt, M6x1.0, 6mm, Hex Flange Head, Black Zinc	3
4	Lens, Position Indicator, Fence, CTS	1
5	Bolt, M4x0.7, 8mm, Flat Washer, Pan Head, Phillips, Silver Zinc	2

# Ruler Label

- Part Number: CTS-073 (Inches/English)
- CTS-074 (Metric/English)
- CTS-099 (Metric/No Instructions)



CTS-073



CTS-074

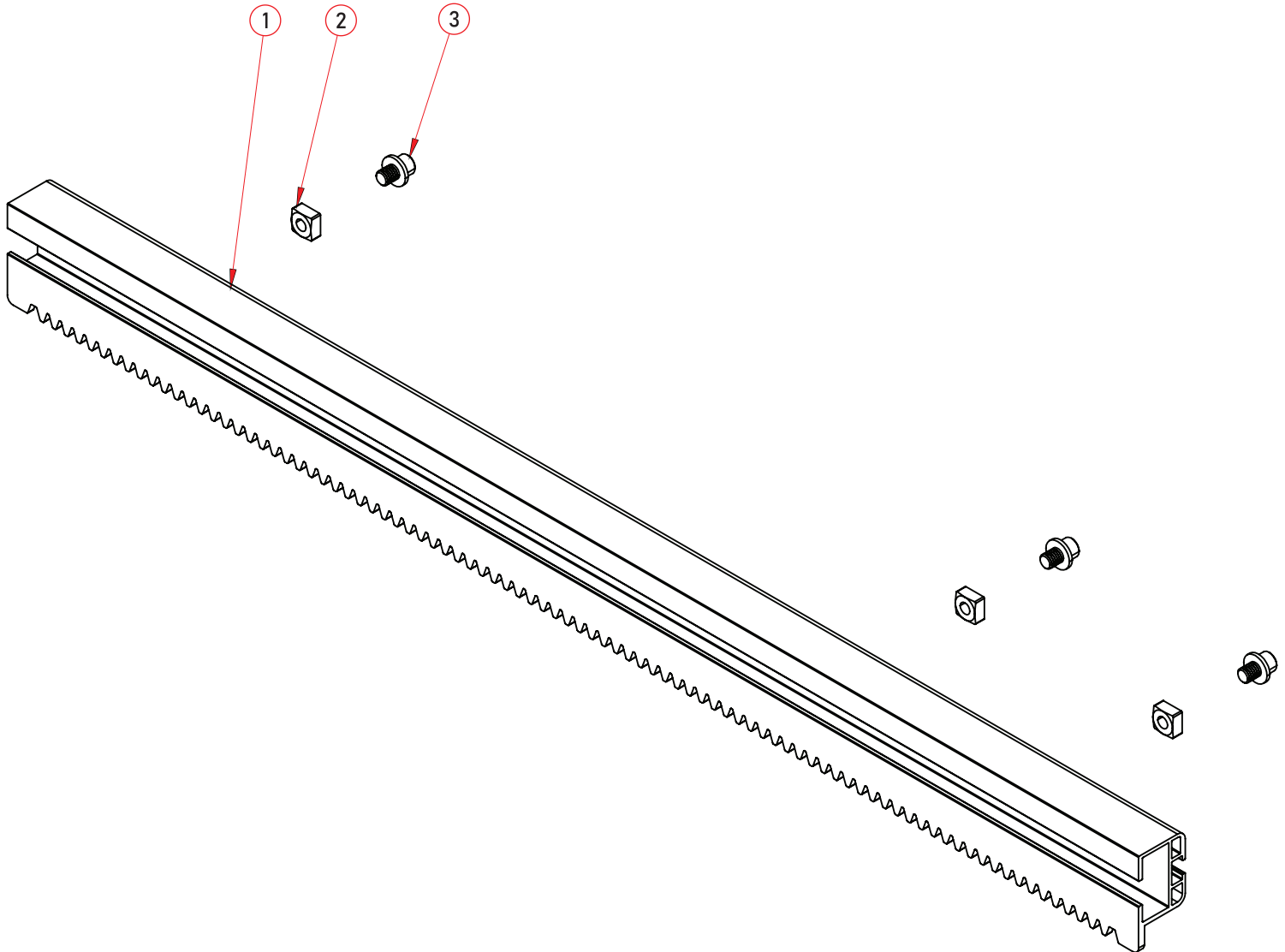


CTS-099



# Rear Rail

Part Number: CTS-003

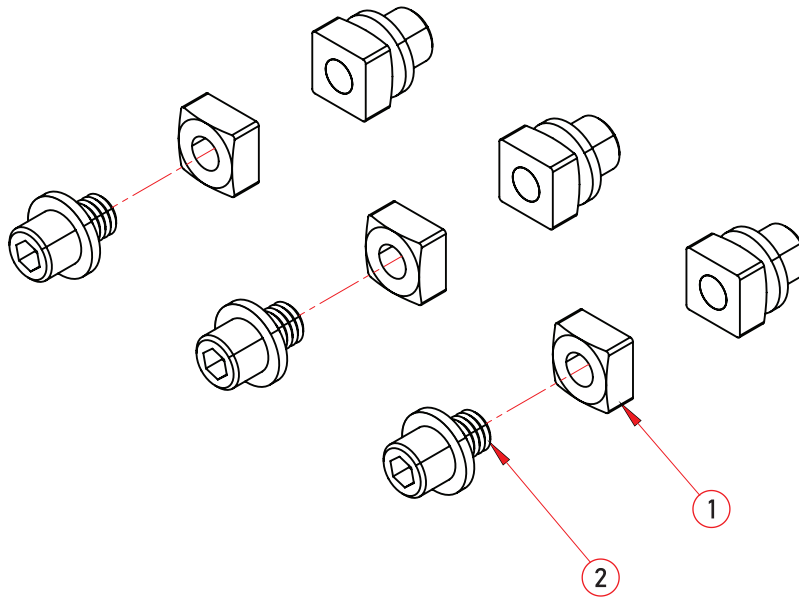


## BILL OF MATERIALS

ITEM NO.	DESCRIPTION	QTY
1	Rail, Rear, CTS	1
2	Nut, M6x1.0, Square, Black Zinc	3
3	Bolt, M6x1.0, 6mm, Hex Flange Head, Black Zinc	3

# Fence Rails Hardware Bag

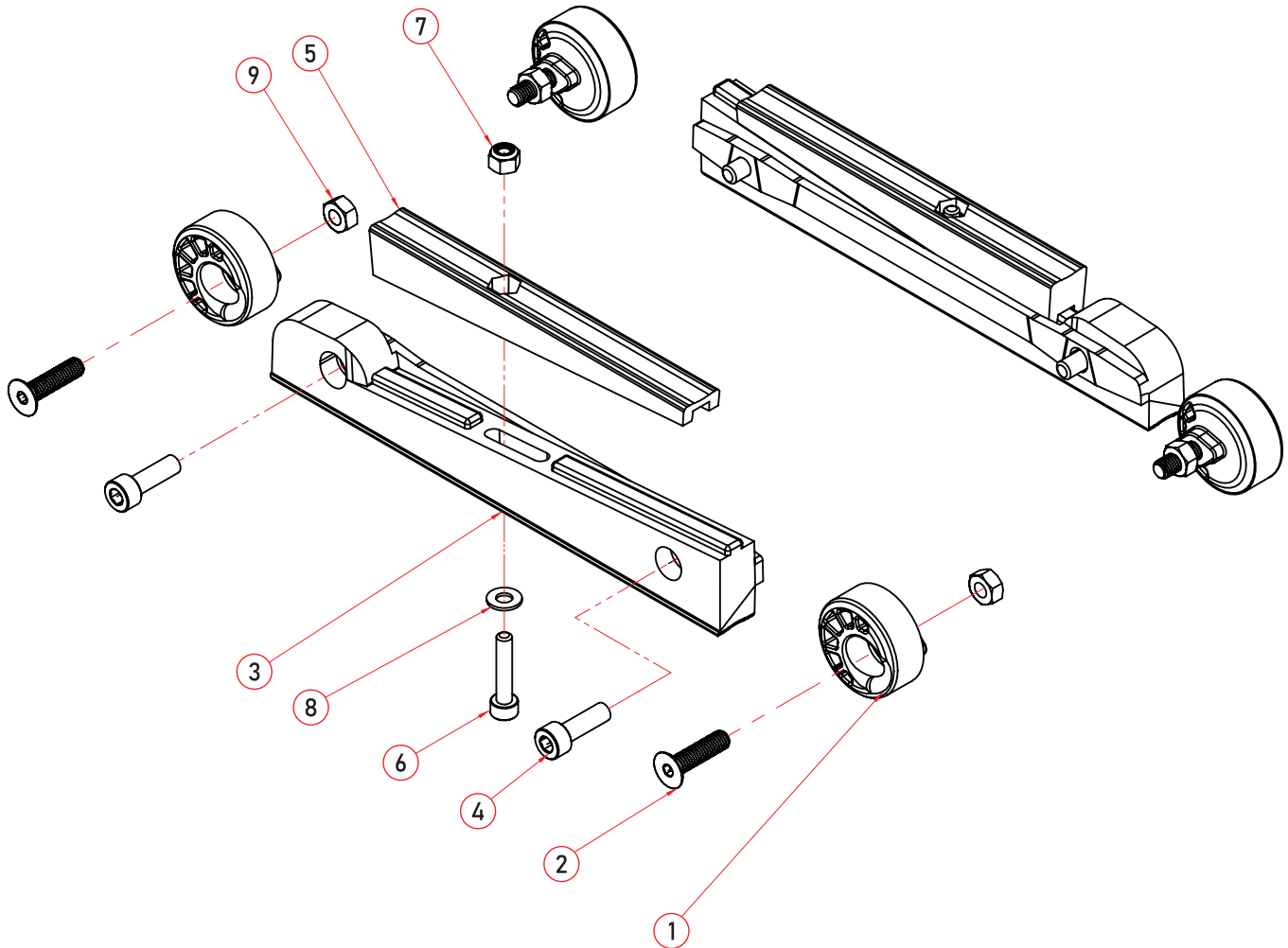
Part Number: CTS-004



BILL OF MATERIALS		
ITEM NO.	DESCRIPTION	QTY
1	Nut, M6x1.0, Square, Black Zinc	6
2	Bolt, M6x1.0, 6mm, Hex Flange Head, Black Zinc	6

# Puck

Part Number: CTS-005



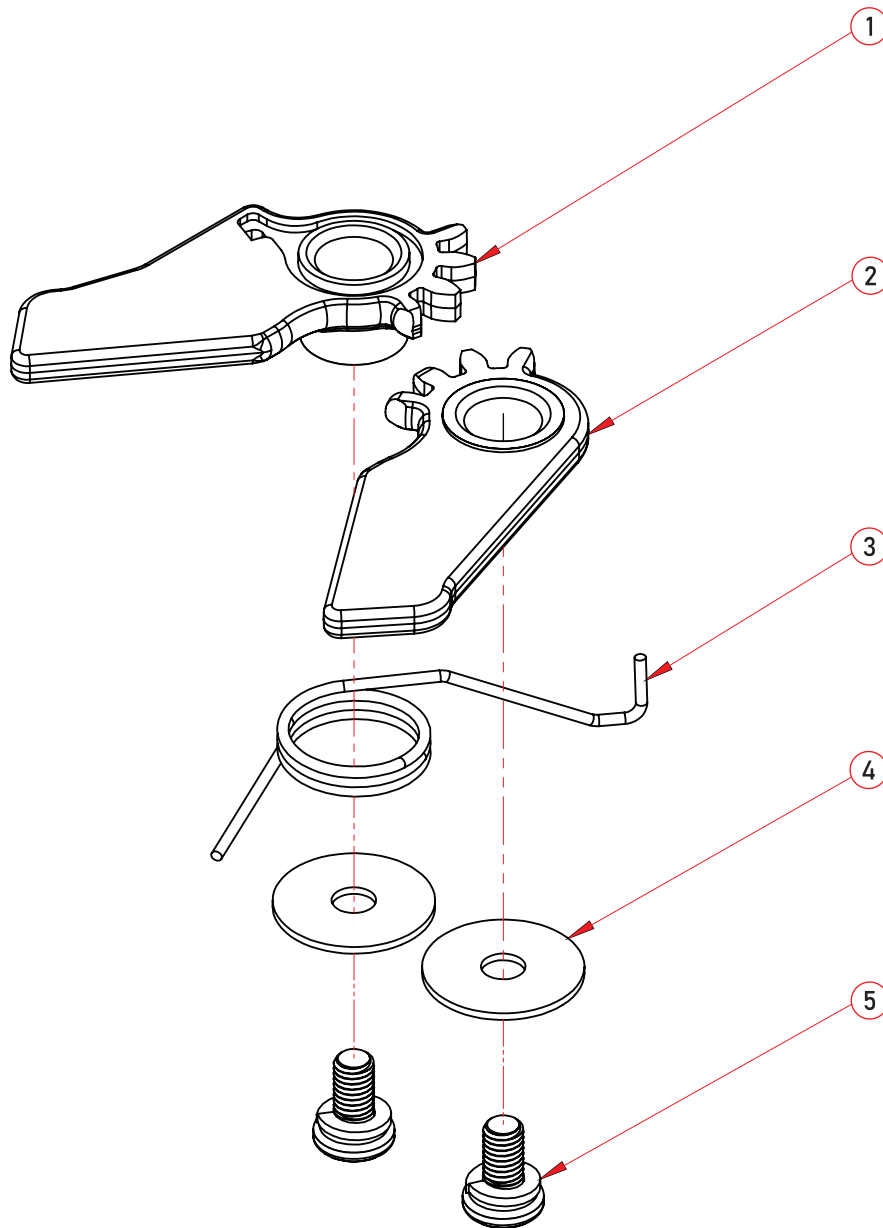
## BILL OF MATERIALS

ITEM NO.	DESCRIPTION	QTY
1	Puck, End, Inner Rail, CTS	4
2	Bolt, M5x0.8, 14mm, Flat Head, Socket, 12.9 Alloy, Loctite, Silver Zinc	4
3	Puck, Base, Inner Rail, CTS	2
4	Bolt, M5x0.8, 16mm, Socket Head Cap, 12.9 Alloy, Loctite, Silver Zinc	4
5	Puck, Upper, Inner Rail, CTS	2
6	Bolt, M4x0.7, 20mm, Socket Head Cap, Black Zinc	2
7	Nut, M4x0.7, Nylon Insert, Black Zinc	2
8	Washer, M4, Flat, 9mm ODx0.8 THK, Silver Zinc	2
9	Nut, M5x0.8, Black Zinc	4



# Fence Stop

Part Number: CTS-006

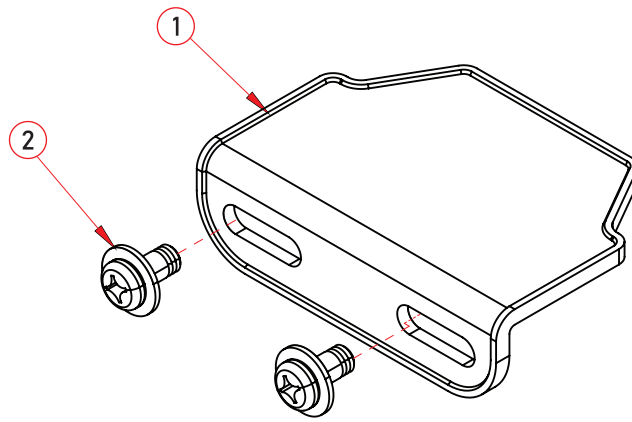


## BILL OF MATERIALS

ITEM NO.	DESCRIPTION	QTY
1	Stop, Left, Fence, CTS	1
2	Stop, Right, Fence, CTS	1
3	Spring, Fence Stop, CTS	1
4	Washer, M5, Flat, 20mm ODx1mm THK, Black Zinc	2
5	Bolt M5x0.8, 10mm, Loctite, Lock Washer, Button Head, Phillips, Black Zinc	2

# Fence Lens

Part Number: CTS-007

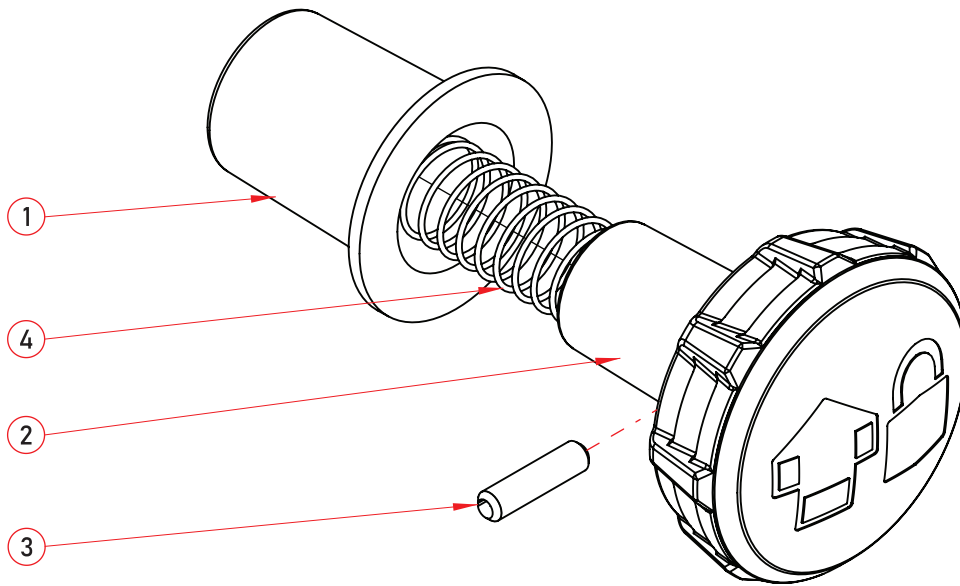


## BILL OF MATERIALS

ITEM NO.	DESCRIPTION	QTY
1	Leans, Position Indicator, Fence, CTS	1
2	Bolt, M4x0.7, 8mm, Flat Washer, Pan Head, Phillips, Silver Zinc	2

# Rail Lock Handle

Part Number: CTS-010

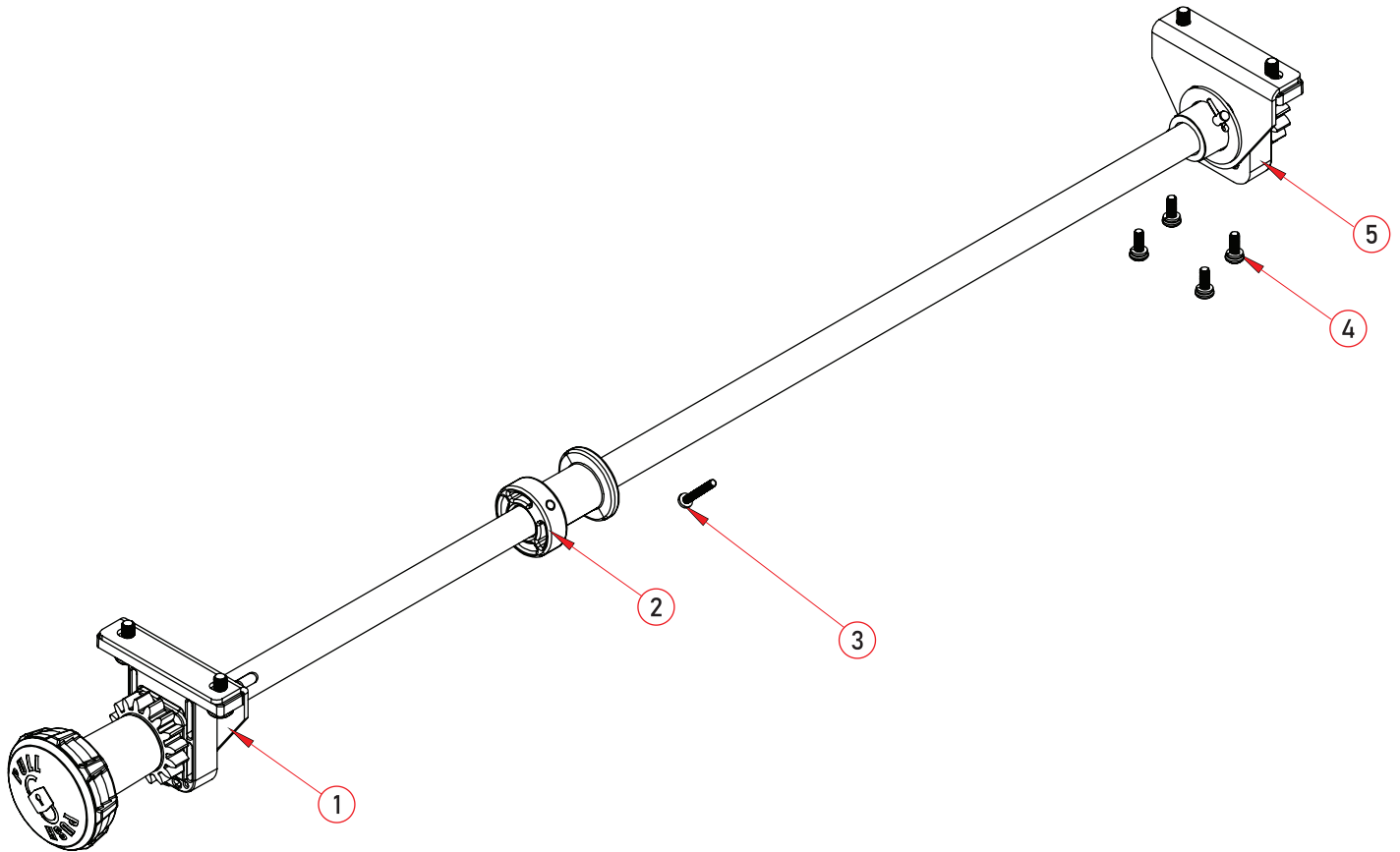


## BILL OF MATERIALS

ITEM NO.	DESCRIPTION	QTY
1	Sleeve, Rail Lock, Handle, CTS	1
2	Handle, Rail Lock, CTS	1
3	Pin, Spring, 4x18	1
4	Spring, Rail Lock, Handle, CTS	1

# Rail Lock Pinion

Part Number: CTS-011

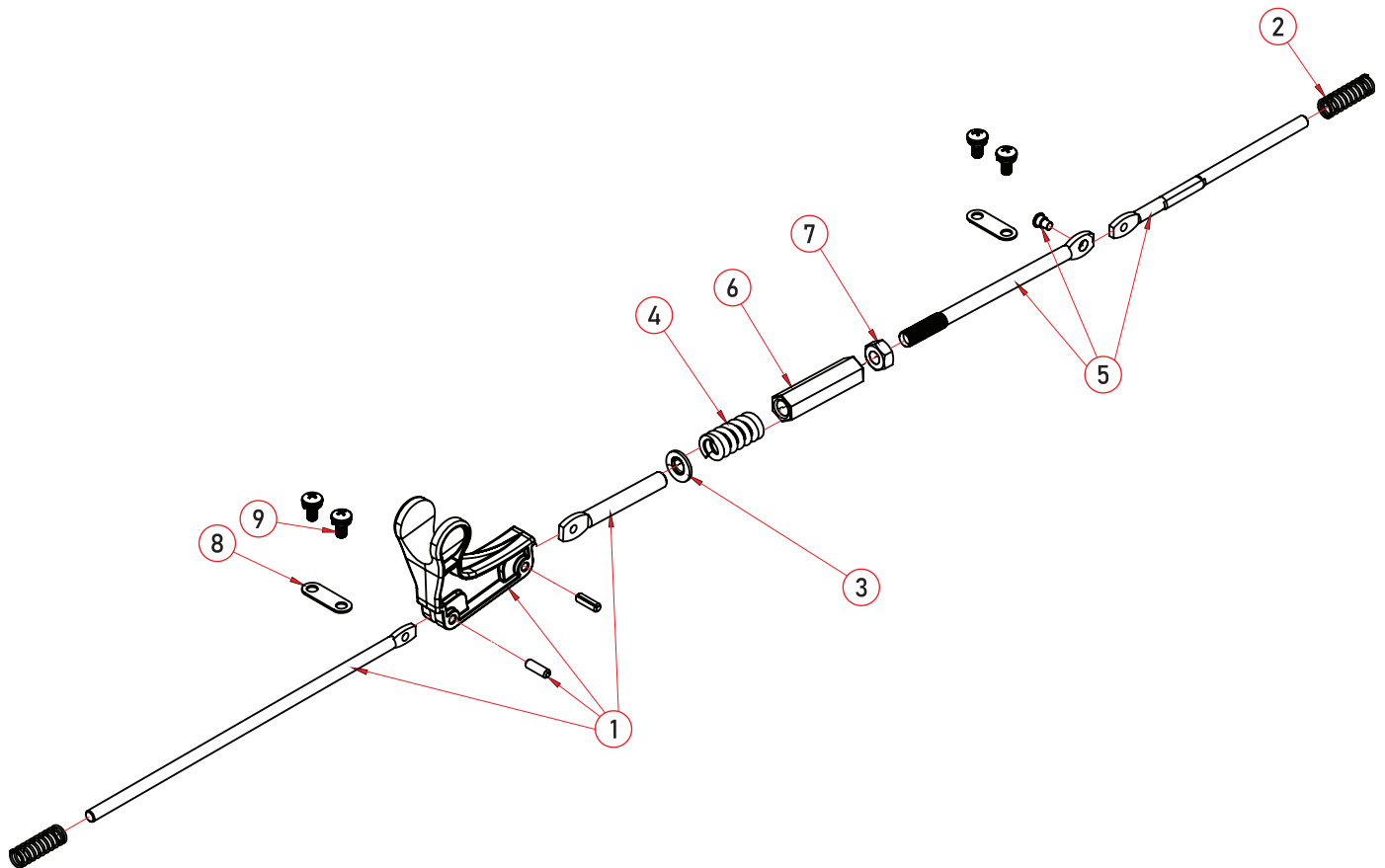


## BILL OF MATERIALS

ITEM NO.	DESCRIPTION	QTY
1	Main Rail Lock Pinion Assembly	1
2	Guide, Shaft Bushing, Rocker, CTS	1
3	Bolt, M4x0.7, 30mm, Button Head, Phillips, Black Zinc	1
4	Bolt, M5x0.8, 14mm, Locktite, Lock Washer, Buttong Head, Phillips, Black Zinc	4
5	Rear Rail Lock Pinion Assembly	1

# Rail Lock Rocker

Part Number: CTS-012

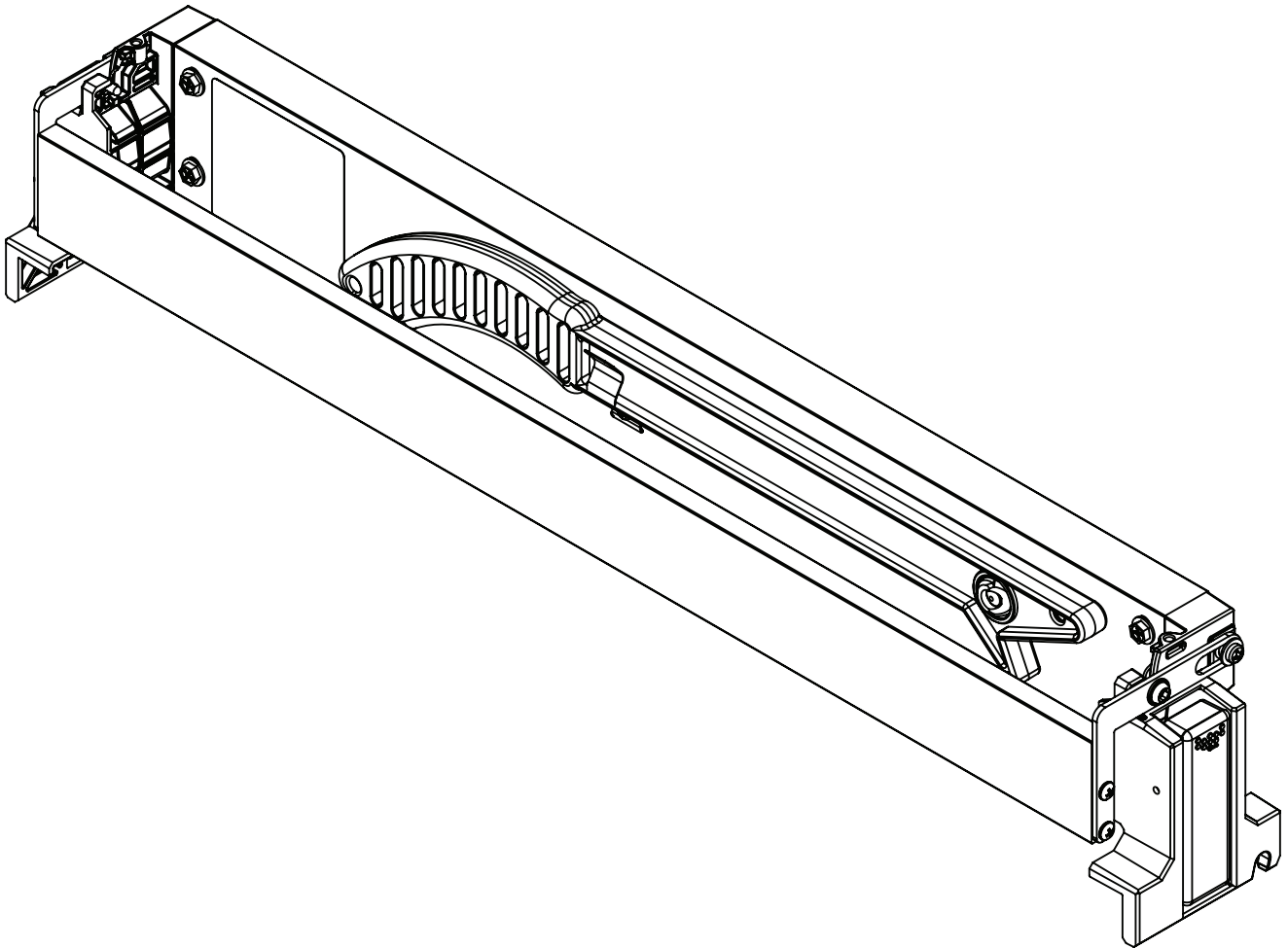


## BILL OF MATERIALS

ITEM NO.	DESCRIPTION	QTY
1	Rail Lock Rocker Assembly, CTS	1
2	Spring, Rail Lock, Pivot Return, CTS	2
3	Washer, M8, Flat, 16mm ODx1.5mm THK, Black Zinc	1
4	Spring, 30mm, Rail Lock, Rocker, CTS	1
5	Rail Lock Link Assembly, CTS	1
6	Bushing, M8x1.25, 50mm, Partially Threaded, Rail Lock, Nut, CTS	1
7	Nut, M8x1.25, 13mm, Hex	1
8	Strap, Rail Lock, CTS	2
9	Bolt, M5x0.8, 10mm, Loctite, Lock Washer, Button Head, Phillips, Black Zinc	4

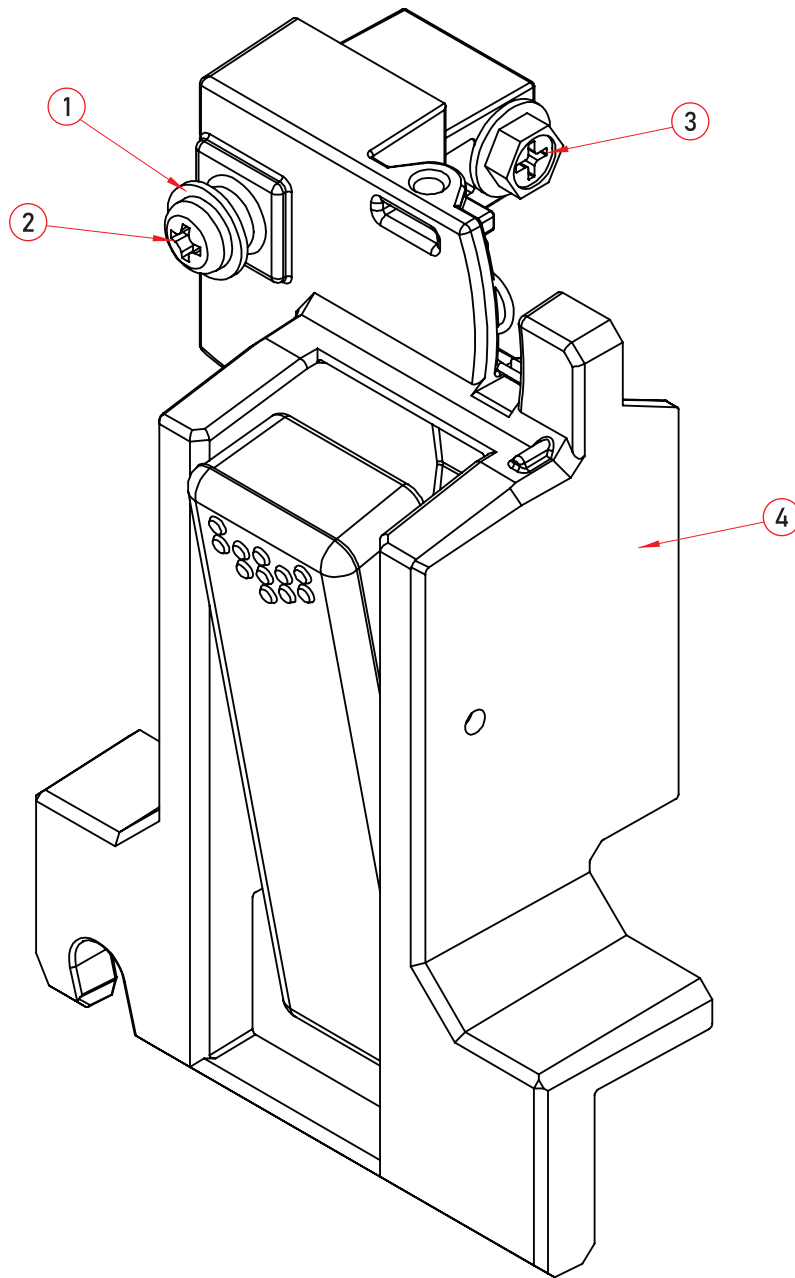
# Fence Assembly

Part Number: CTS-052



# Front-Fence Head Assembly

Part Number: CTS-053

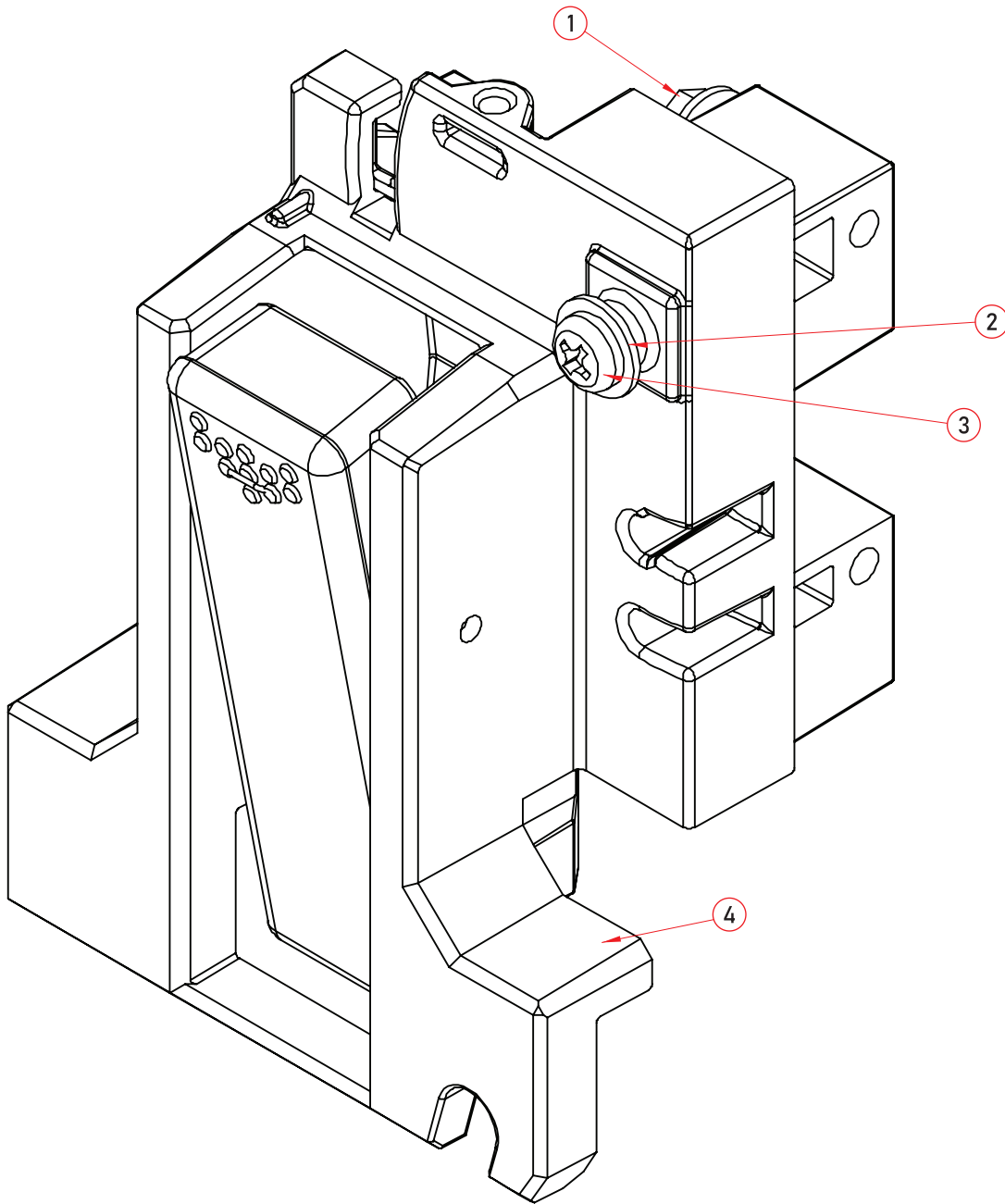


## BILL OF MATERIALS

ITEM NO.	DESCRIPTION	QTY
1	Washer, M5, Flat, 12mm ODx1mm THK, Black Zinc	1
2	Screw, M5x0.8, 12mm, Button Head, Phillips, Black Zinc	1
3	Bolt, M5x0.8, 12mm, Hex Flange, Phillips, Black Zinc	2
4	Front Fence Head Assembly, CTS	1

# Rear-Fence Head Assembly

Part Number: CTS-054



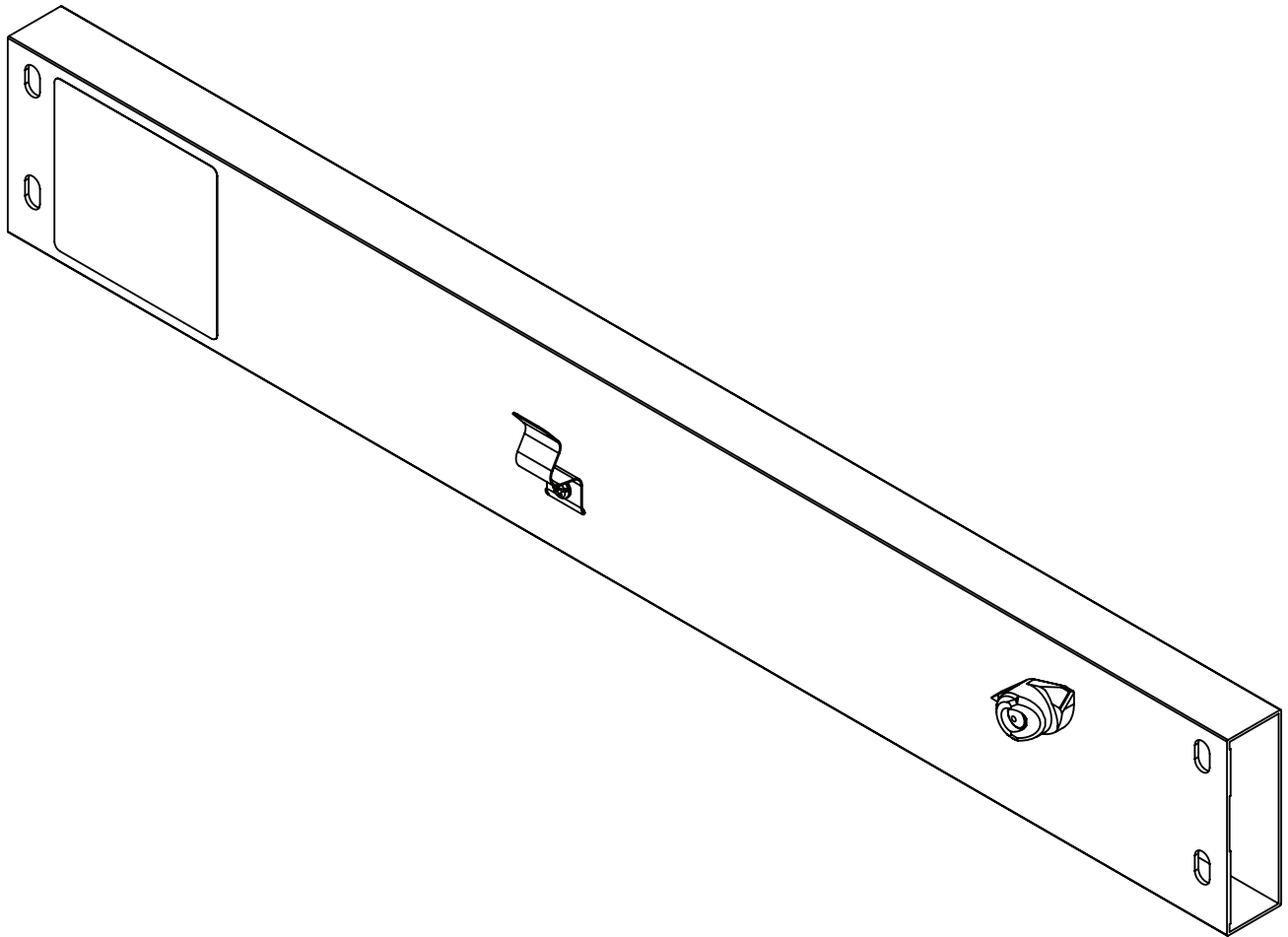
## BILL OF MATERIALS

ITEM NO.	DESCRIPTION	QTY
1	Bolt, M5x0.8, 12mm, Hex Flange, Phillips, Black Zinc	2
2	Washer, M5, Flat, 12mm ODx1mm THK, Black Zinc	1
3	Screw, M5x0.8, 12mm, Button head, Phillips, Black Zinc	1
4	Rear Fence Head Assembly, CTS	1



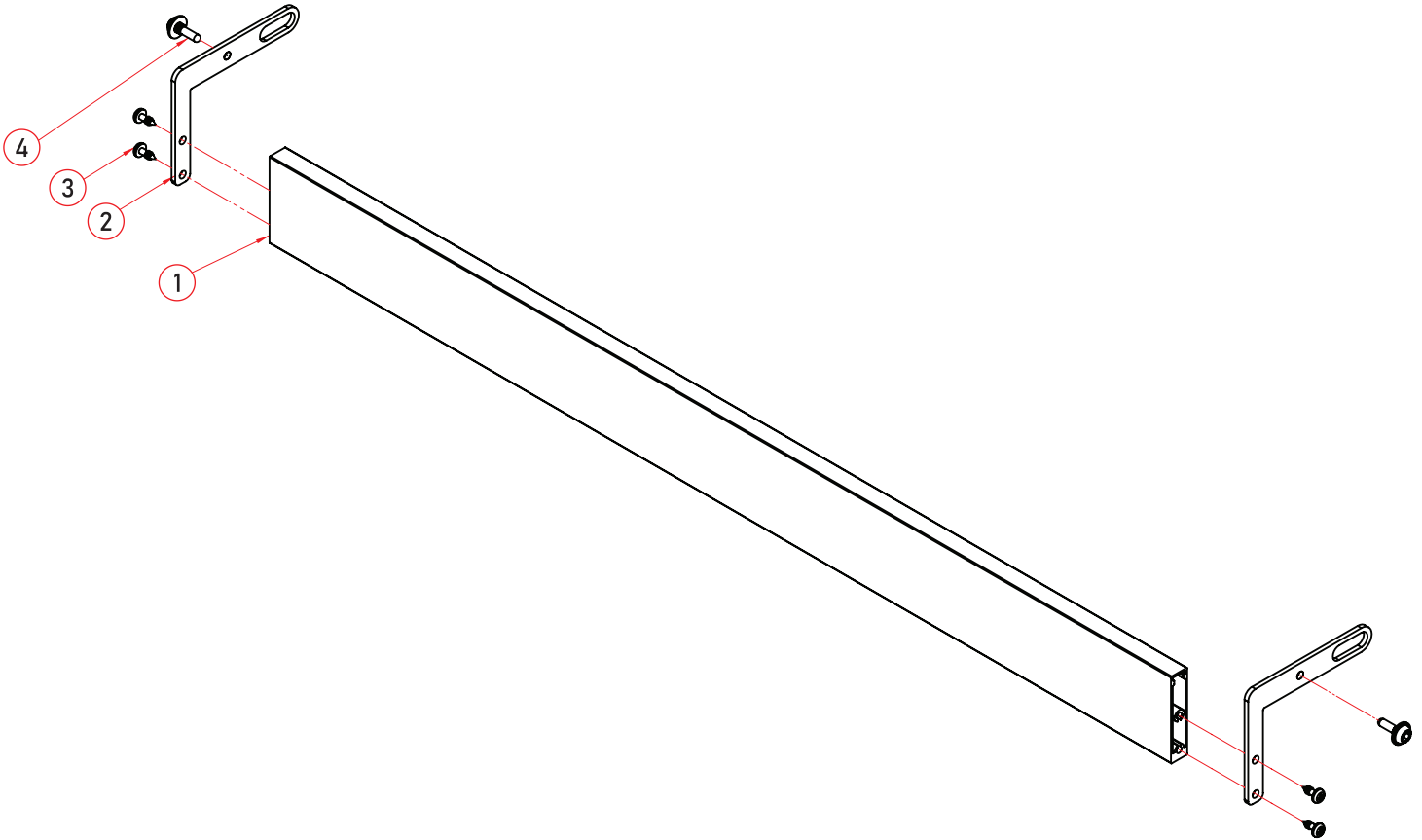
# Fence Tube Assembly

Part Number: CTS-055



# Fence Shelf Assembly

Part Number: CTS-056



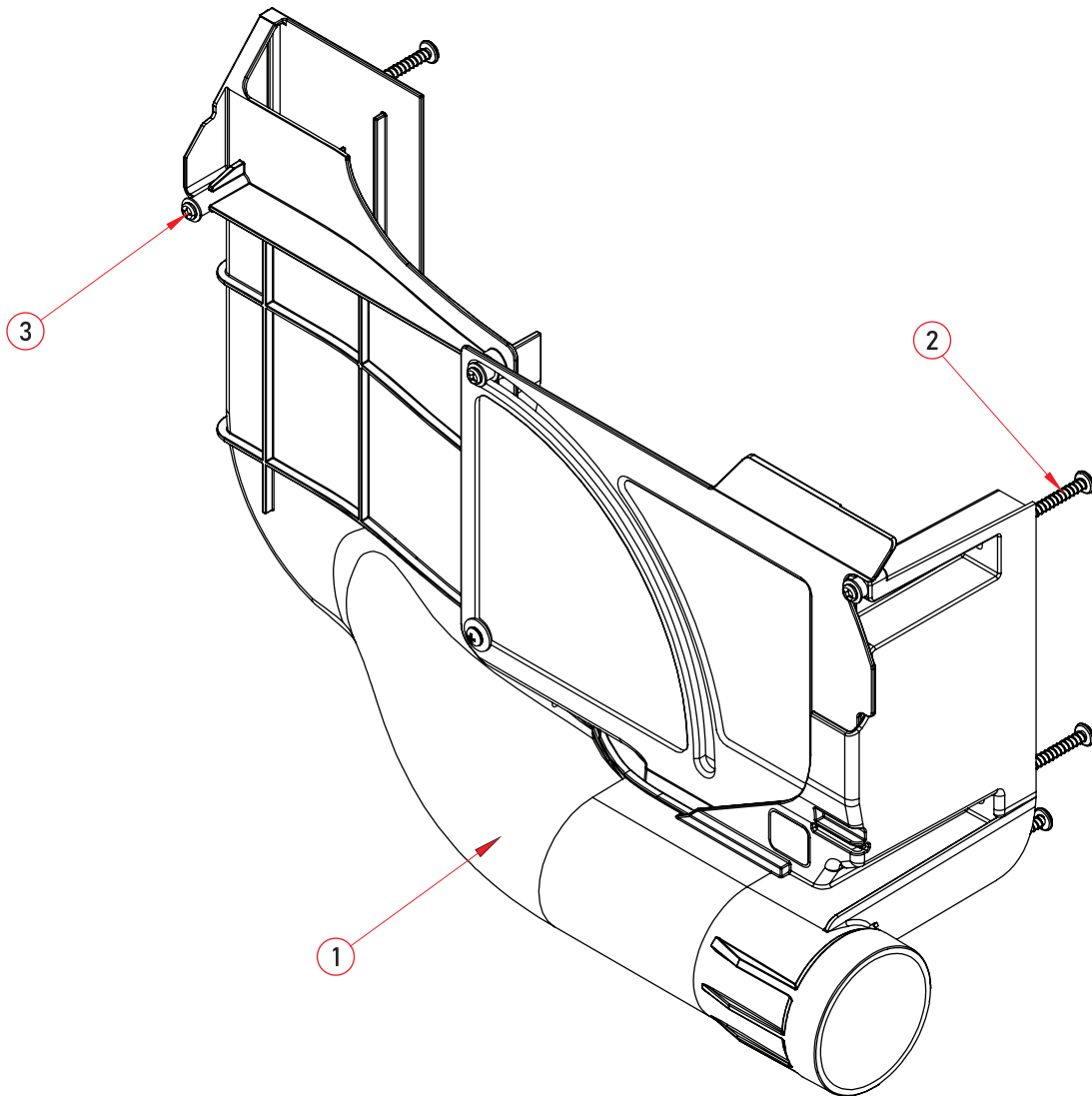
## BILL OF MATERIALS

ITEM NO.	DESCRIPTION	QTY
1	Shelf, Fence, CTS	1
2	Bracket, Fence Shelf, CTS	2
3	Screw, M4x1.41, 10mm, Pan Head, Phillips, Thread Cutting, Black Zinc	4
4	Screw, M5x0.8, 14mm, Partially Threaded, Pivot, Fence Shelf, Black Zinc, CTS	2

# Dust Shroud

Part Number: CTS-013

CTS-102 (Europe and UK Only)

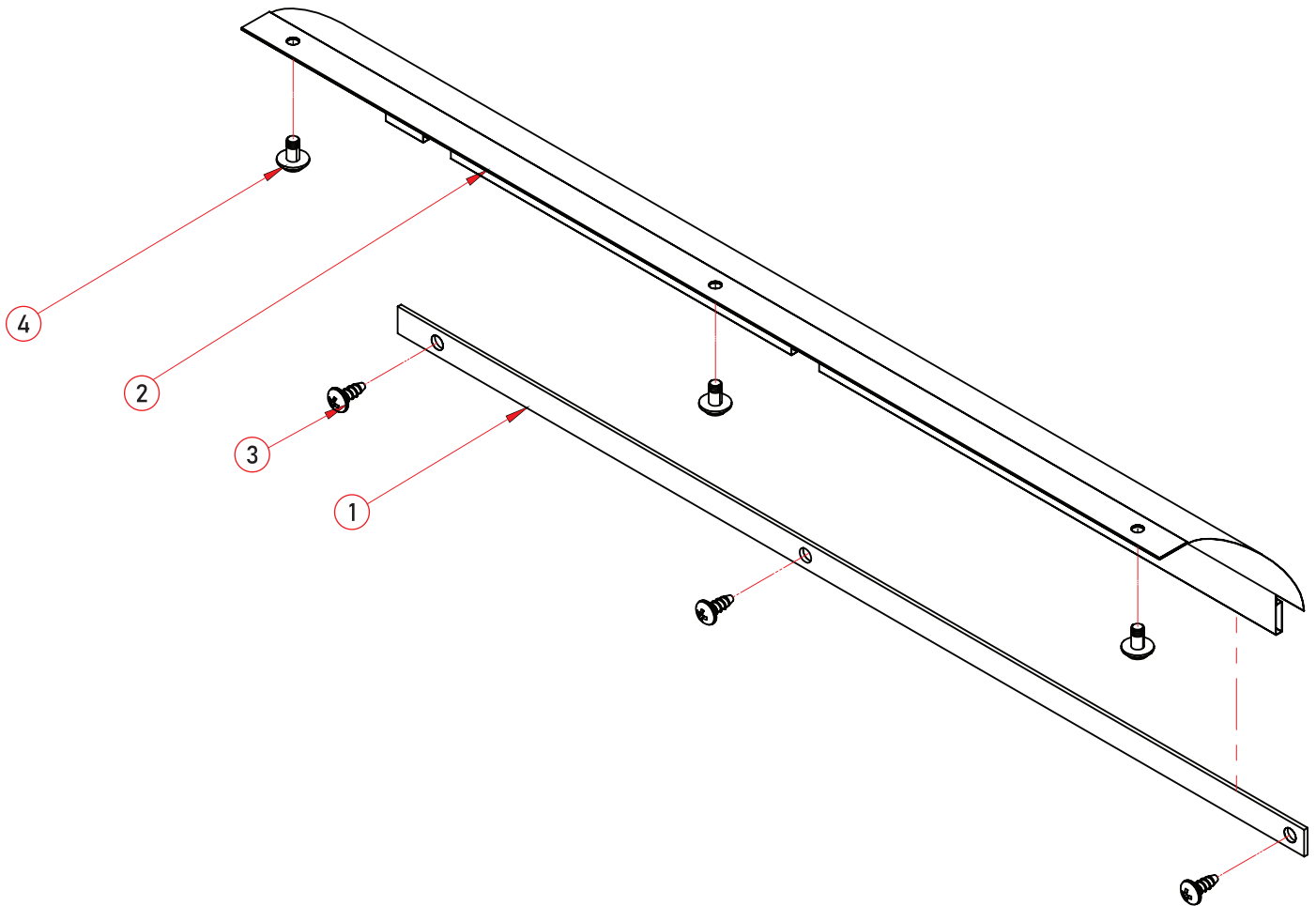


## BILL OF MATERIALS

ITEM NO.	DESCRIPTION	QTY
1	Dust Shroud Assembly, CTS	1
2	Screw, M5x2.2, 45mm, Pan Head, Phillips, Thread Cutting, Black Zinc	5
3	Bolt, M4x0.7, 8mm, Flat Washer, Pan Head, Phillips, Silver Zinc	3

# Dust Curtain

Part Number: CTS-014

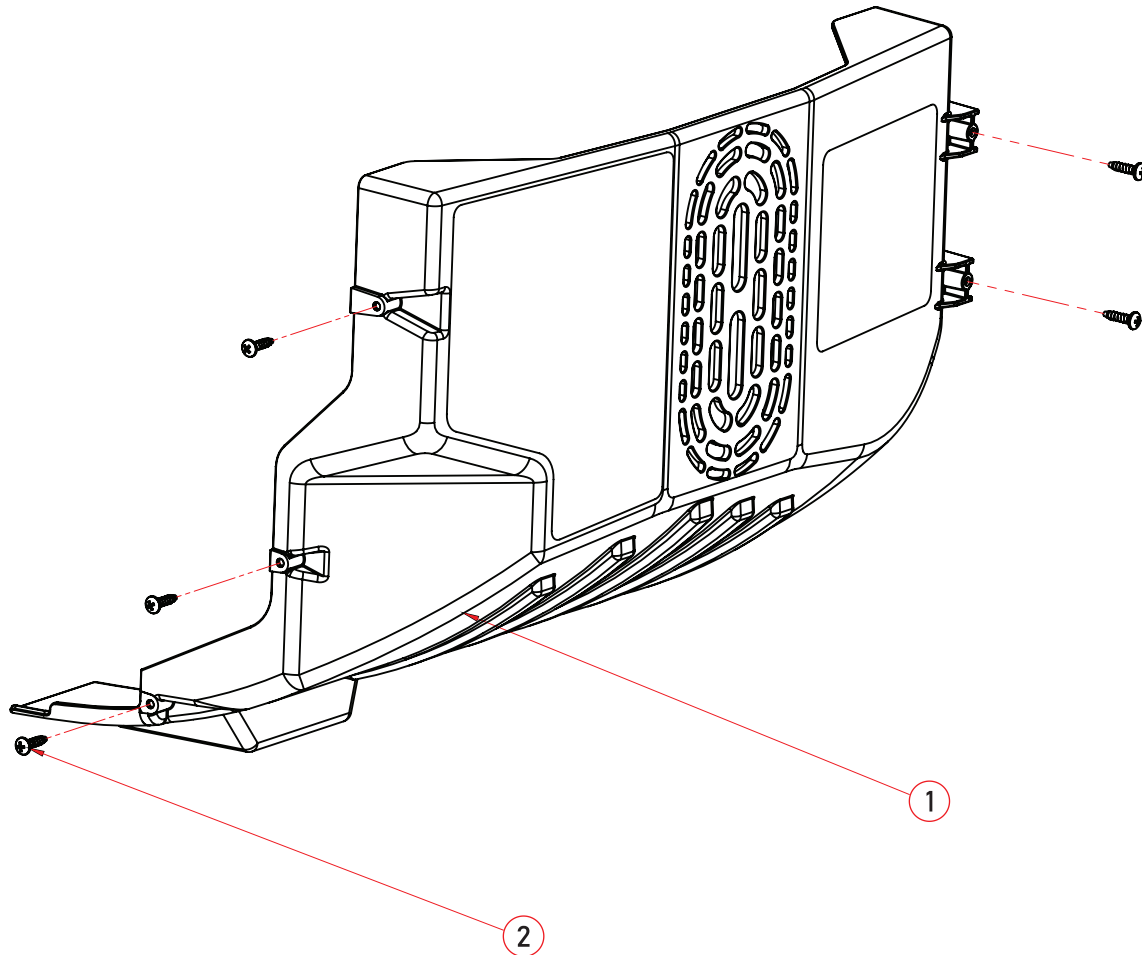


## BILL OF MATERIALS

ITEM NO.	DESCRIPTION	QTY
1	Bar, Dust Shroud, CTS	1
2	Cover, Dust Shroud, Bevel, CTS	1
3	Screw, M4x1.8, 10mm, Button head, Phillips, Thread Cutting, Black Zinc	3
4	Bolt, M4x0.7, 8mm, Flat Washer, Pan Head, Phillips, Silver Zinc	3

# Motor Cover

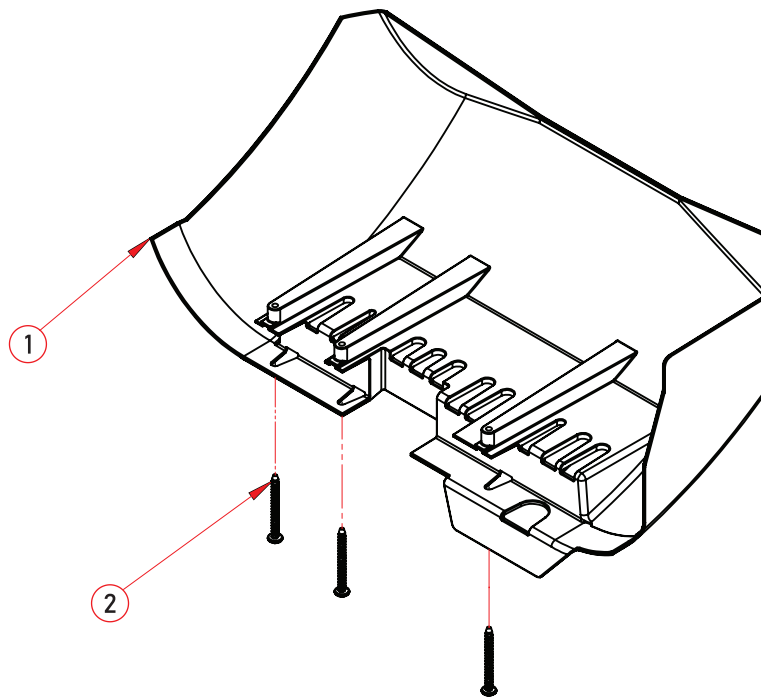
Part Number: CTS-015  
 CTS-104 (Europe and UK Only)



BILL OF MATERIALS		
ITEM NO.	DESCRIPTION	QTY
1	Cover, Motor, CTS	1
2	Screw, M4x1.8, 16mm, Button Head, Phillips, Thread Cutting, Black Zinc	5

# Trunnion Motor Cover

Part Number: CTS-016

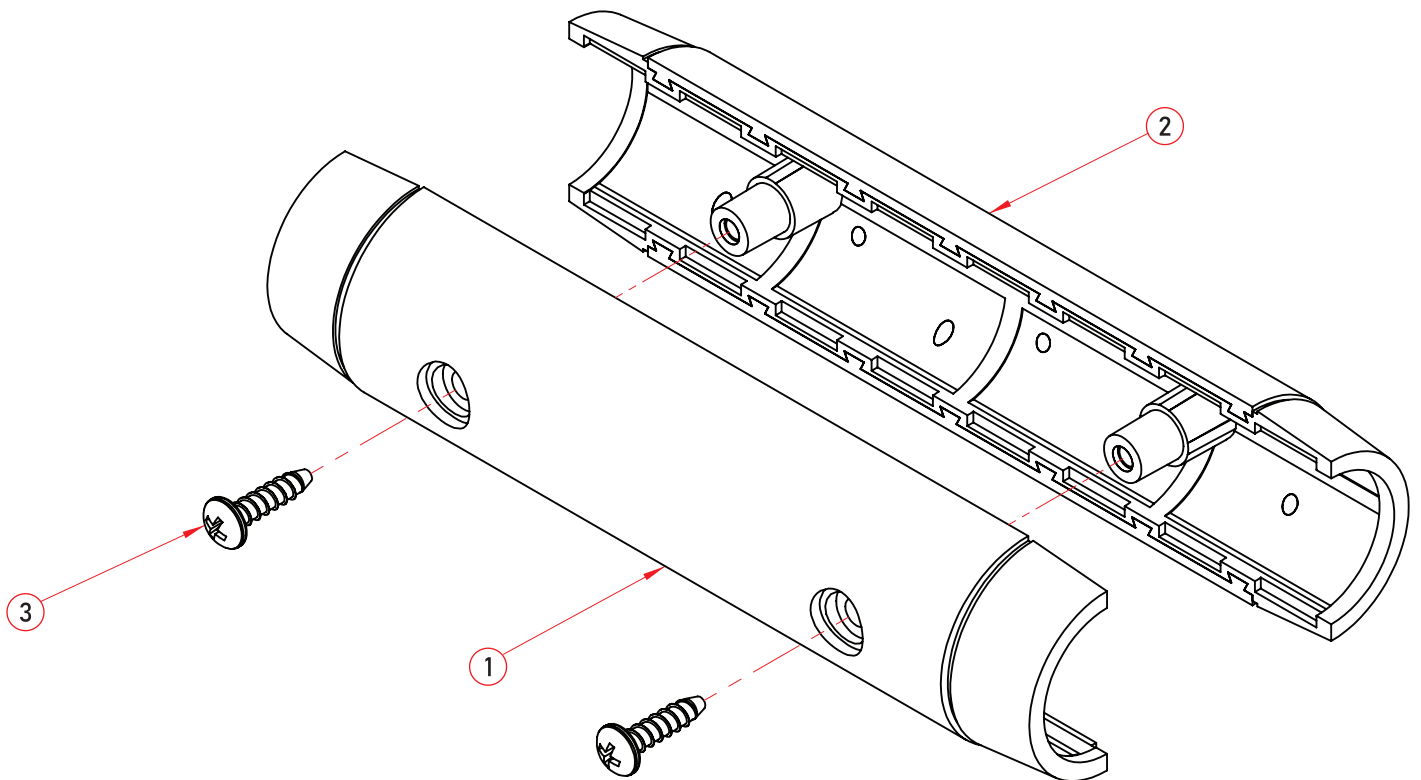


## BILL OF MATERIALS

ITEM NO.	DESCRIPTION	QTY
1	Motor Cover, Trunnion, CTS	1
2	Screw, M4x1.8, 40mm, Button Head, Phillips, Thread Cutting, Black Zinc	3

# Frame Handle

Part Number: CTS-017

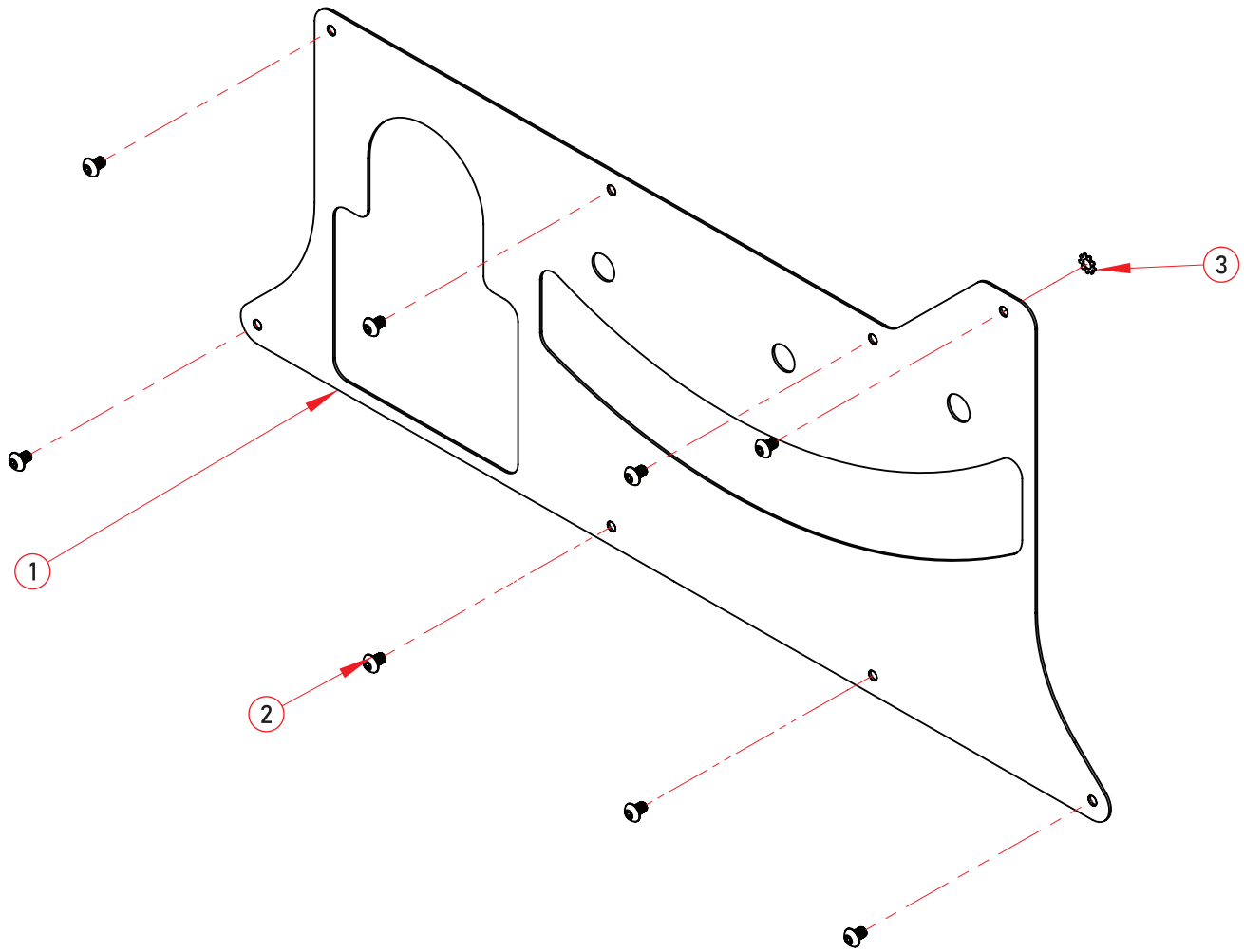


## BILL OF MATERIALS

ITEM NO.	DESCRIPTION	QTY
1	Handle, Frame, Inner, CTS	1
2	Handle, Frame, Outer, CTS	1
3	Screw, M4x1.8, 16mm, Button Head, Phillips, Thread Cutting, Black Zinc	2

# Front Panel

Part Number: CTS-018

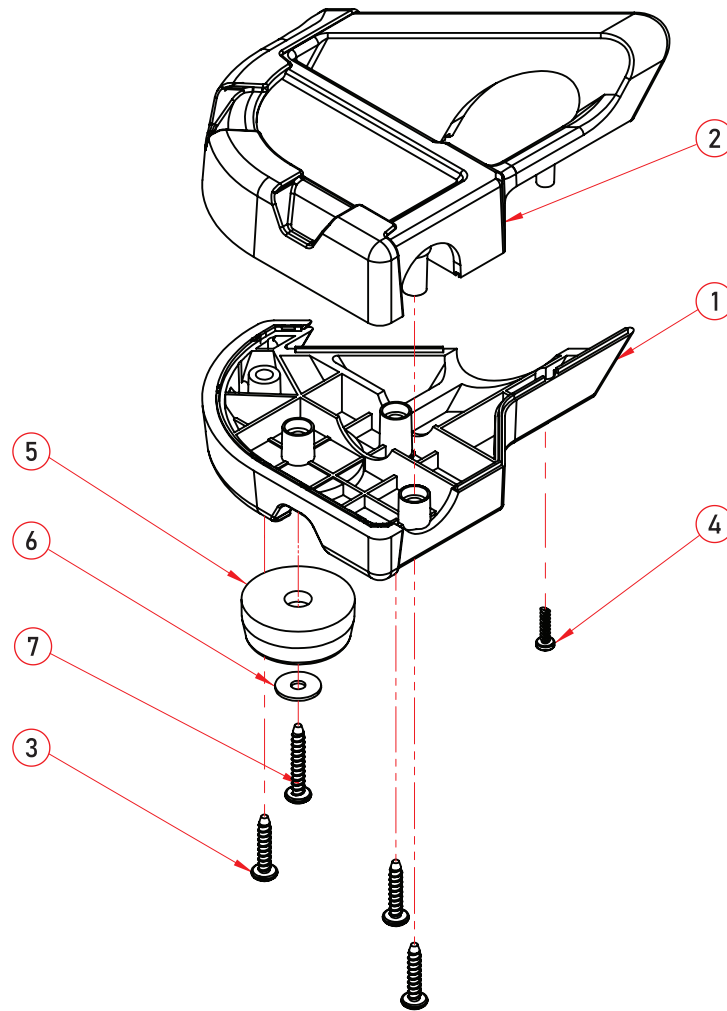


BILL OF MATERIALS		
ITEM NO.	DESCRIPTION	QTY
1	Panel, Frame, Front, Lower, CTS	1
2	Screw, M4x0.7, 6mm, Pan Head, Torx, Black Zinc	8
3	Washer, M4, External Tooth, Lock, Silver Zinc	1



# Front-Right Support Foot

Part Number: CTS-019

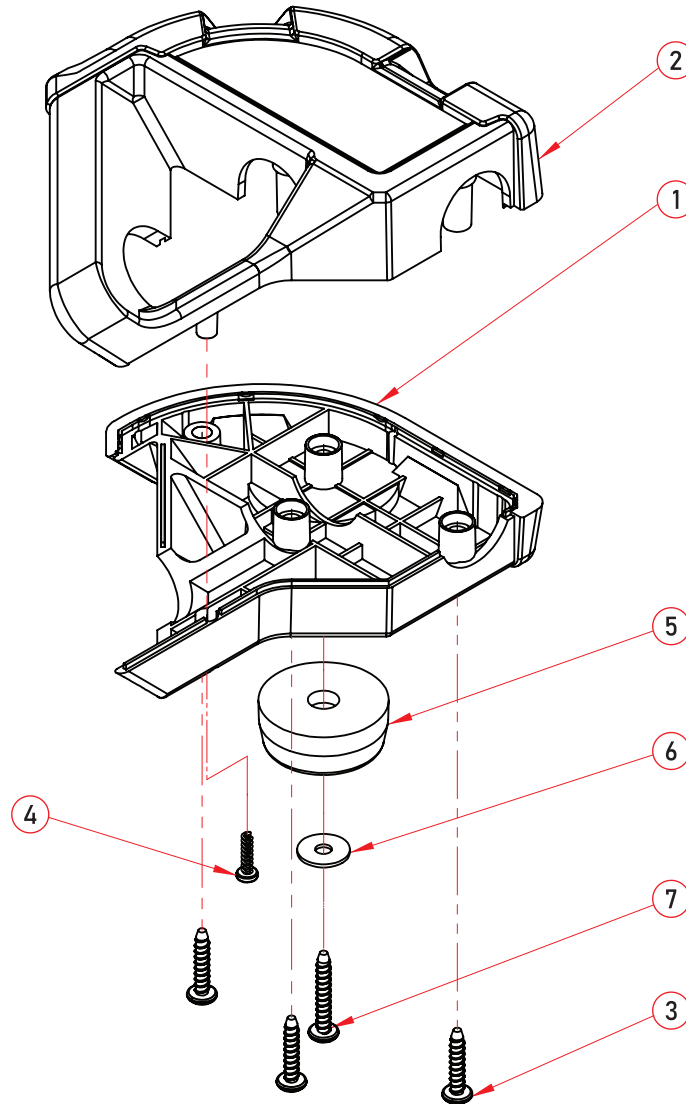


## BILL OF MATERIALS

ITEM NO.	DESCRIPTION	QTY
1	Support Foot, Lower, Front, Right, CTS	1
2	Support Foot, Upper, Front, Right, CTS	1
3	Screw, M4x1.8, 20mm, Button Head, Phillips, Thread Cutting, Black Zinc	3
4	Screw, M3x1.4, 12mm, Button Head, Phillips, Thread Cutting, Black Zinc	1
5	Foot, Support, CTS	1
6	Washer, M4, Flat, 14mm ODx1mm THK, Black Zinc	1
7	Screw, M4x1.8, 25mm, Button Head, Phillips, Thread Cutting, Black Zinc	1

# Front-Left Support Foot

Part Number: CTS-020

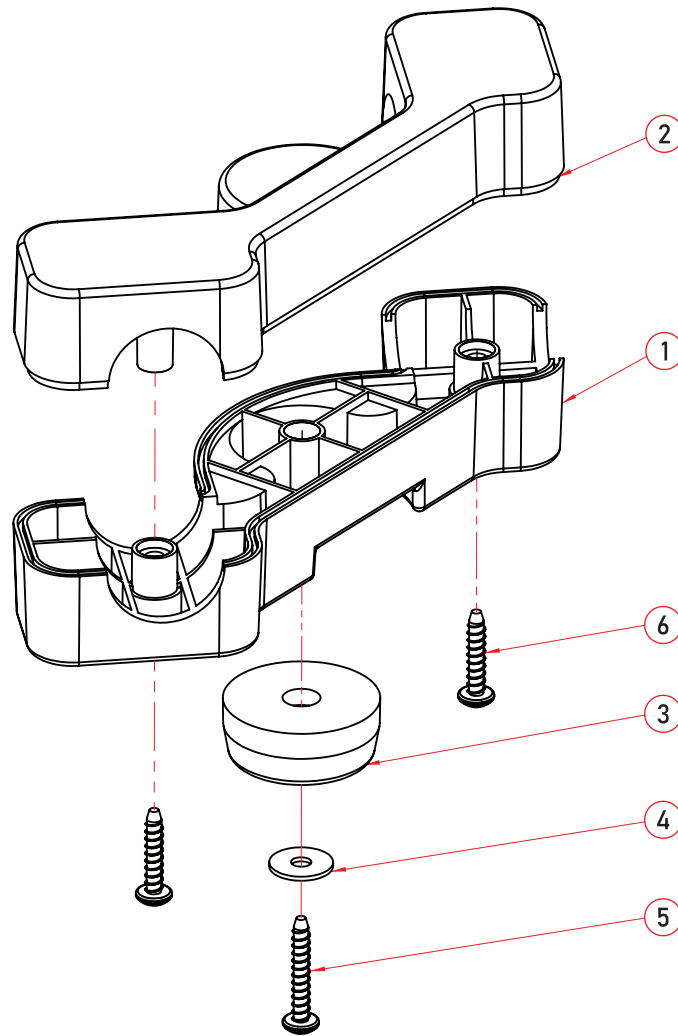


## BILL OF MATERIALS

ITEM NO.	DESCRIPTION	QTY
1	Support Foot, Lower, Front, Left, CTS	1
2	Support Foot, Upper, Front, Left, CTS	1
3	Screw, M4x1.8, 20mm, Button Head, Phillips, Thread Cutting, Black Zinc	3
4	Screw, M3x1.4, 12mm, Button Head, Phillips, Thread Cutting, Black Zinc	1
5	Foot, Support, CTS	1
6	Washer, M4, Flat, 14mm ODx1mm THK, Black Zinc	1
7	Screw, M4x1.8, 25mm, Button Head, Phillips, Thread Cutting, Black Zinc	1

# Rear-Right Support Foot

Part Number: CTS-021

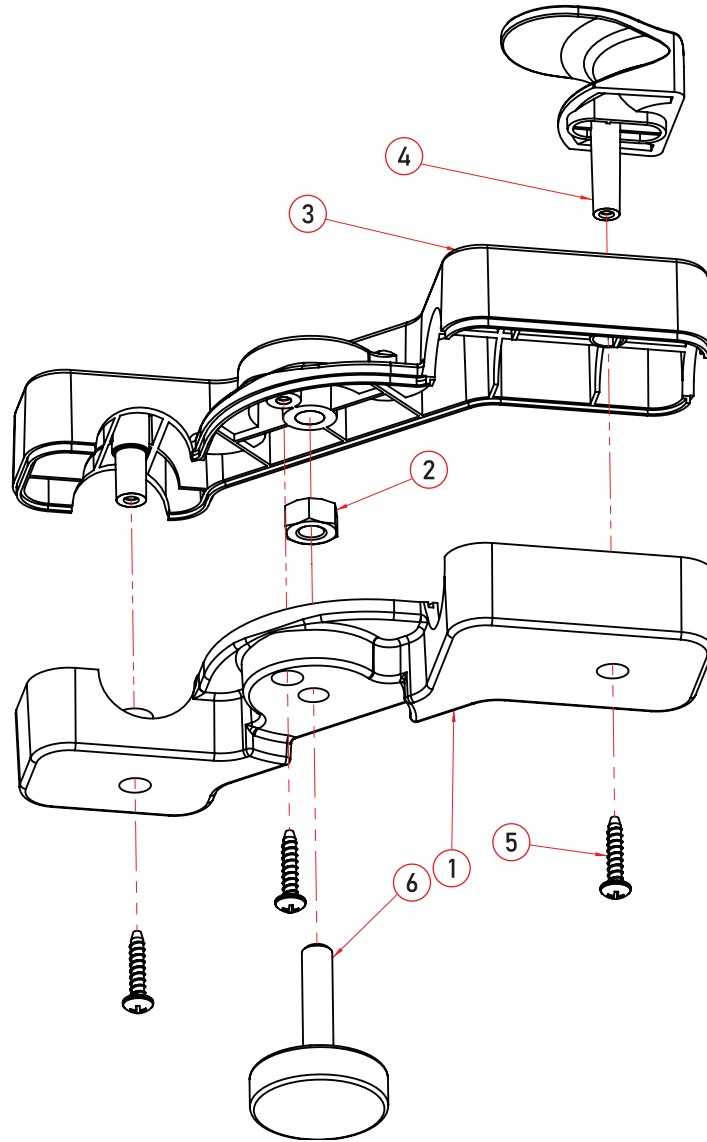


## BILL OF MATERIALS

ITEM NO.	DESCRIPTION	QTY
1	Support Foot, Lower, Rear, Right, CTS	1
2	Support Foot, Upper, Rear, Right, CTS	1
3	Foot, Support, CTS	1
4	Washer, M4, Flat, 14mm ODx1mm THK, Black Zinc	1
5	Screw, M4x1.8, 25mm, Button Head, Phillips, Thread Cutting, Black Zinc	1
6	Screw, M4x1.8, 20mm, Button Head, Phillips, Thread Cutting, Black Zinc	2

# Rear-Left Support Foot

Part Number: CTS-022

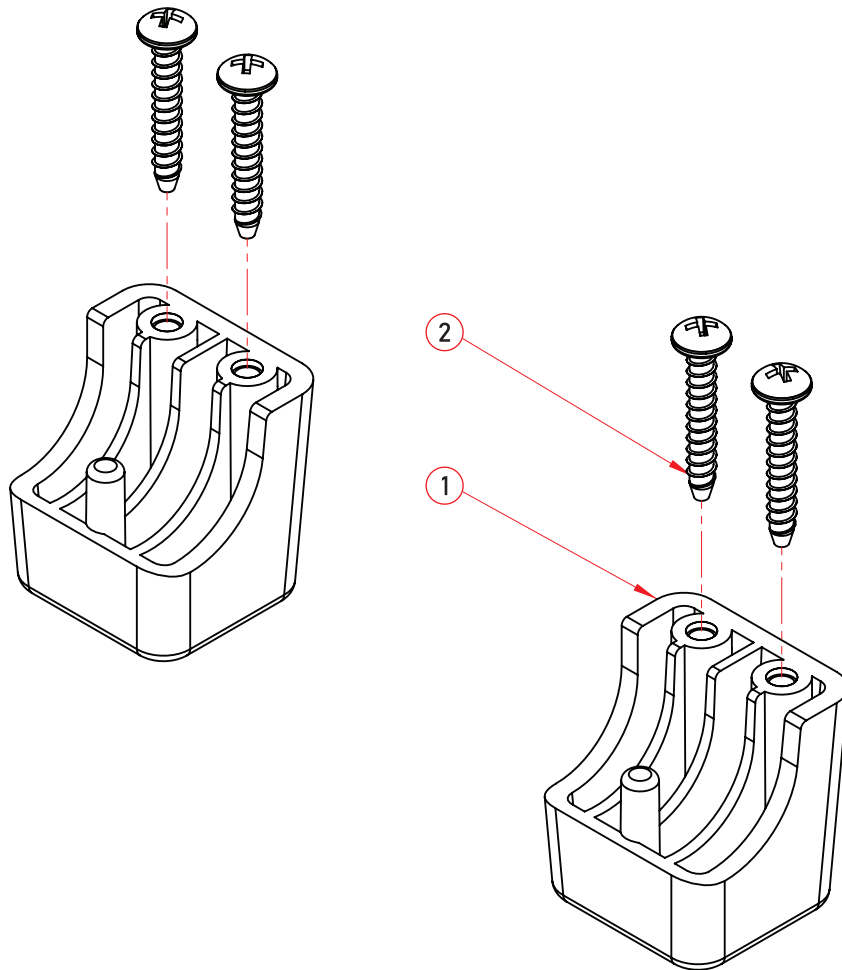


## BILL OF MATERIALS

ITEM NO.	DESCRIPTION	QTY
1	Support Foot, Lower, Rear, Left, CTS	1
2	Nut, M8x1.25, 13mm, Hex, Black Zinc	1
3	Support Foot, Upper, Rear, Left, CTS	1
4	Retainer, Cord Wrap, CTS	1
5	Screw, M4x1.8, 20mm, Button Head, Phillips, Thread Cutting, Black Zinc	3
6	Foot, Leveling, M8x1.25, 43.5mm	1

# Rear-Center Support Foot

Part Number: CTS-023

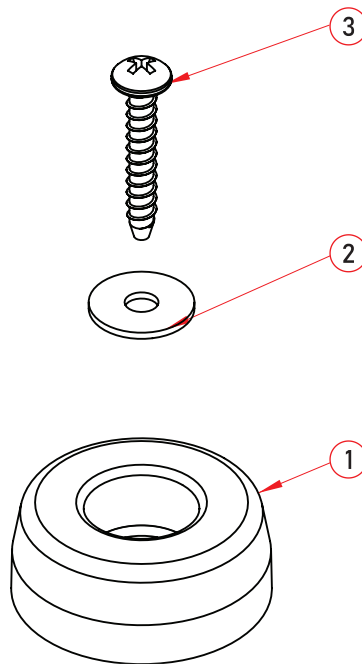


## BILL OF MATERIALS

ITEM NO.	DESCRIPTION	QTY
1	Support Foot, Rear, Center, CTS	2
2	Screw, M4x1.8, 25mm, Button Head, Phillips, Thread Cutting, Black Zinc	4

# Support Foot

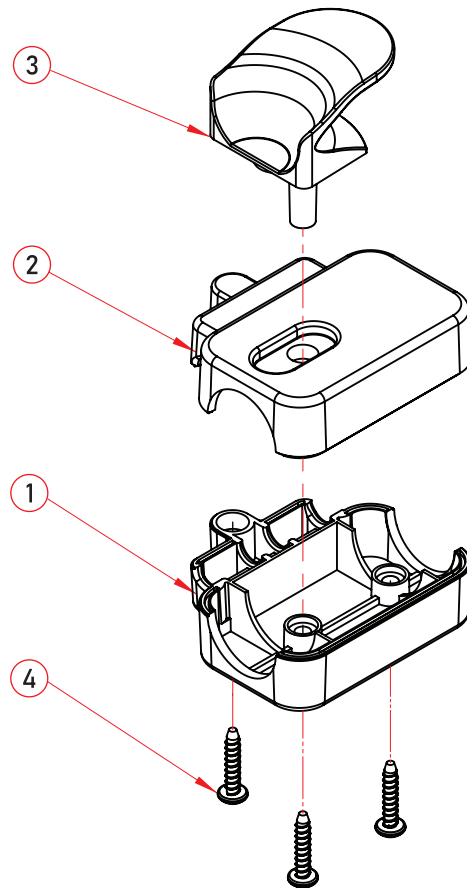
Part Number: CTS-024



BILL OF MATERIALS		
ITEM NO.	DESCRIPTION	QTY
1	Foot, Support, CTS	1
2	Washer, M4, Flat, 14mm ODx1mm THK, Black Zinc	1
3	Screw, M4x1.8, 25mm, Button Head, Phillips, Thread Cutting, Black Zinc	1

# Cord Retainer Clamp

Part Number: CTS-025

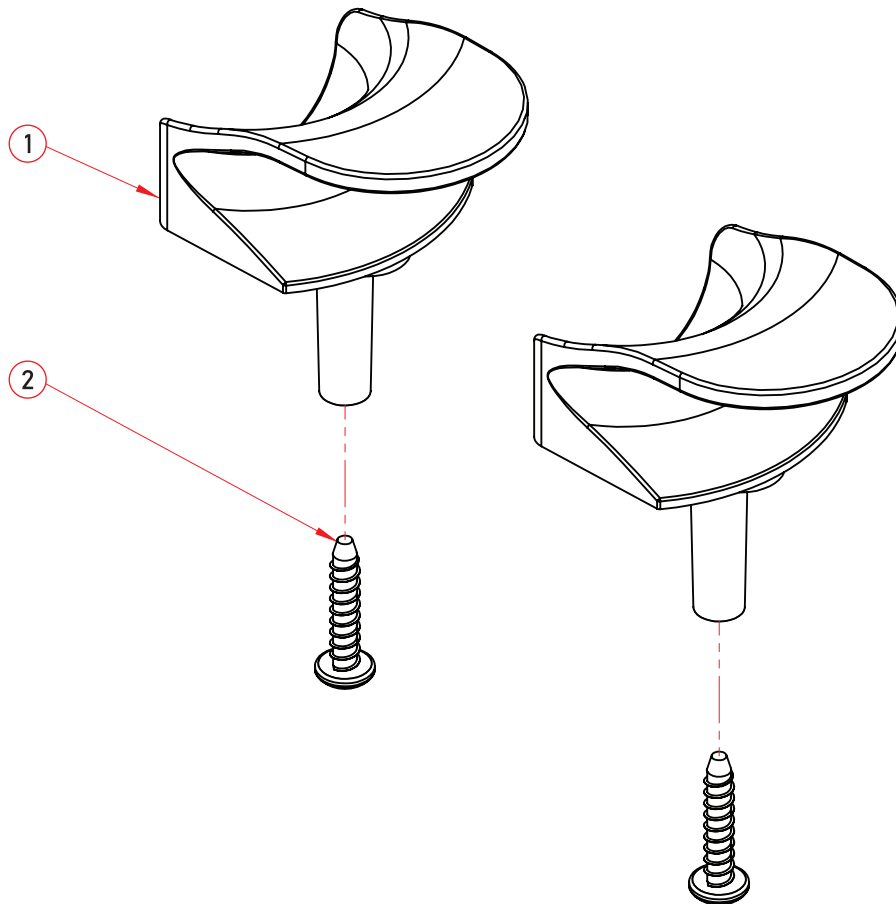


## BILL OF MATERIALS

ITEM NO.	DESCRIPTION	QTY
1	Clamp, Cord, Lower, CTS	1
2	Clamp, Cord, Upper, CTS	1
3	Retainer, Cord Wrap, CTS	1
4	Screw, M4x1.8, 20mm, Button Head, Phillips, Thread Cutting, Black Zinc	3

# Cord Wrap Retainer

Part Number: CTS-026



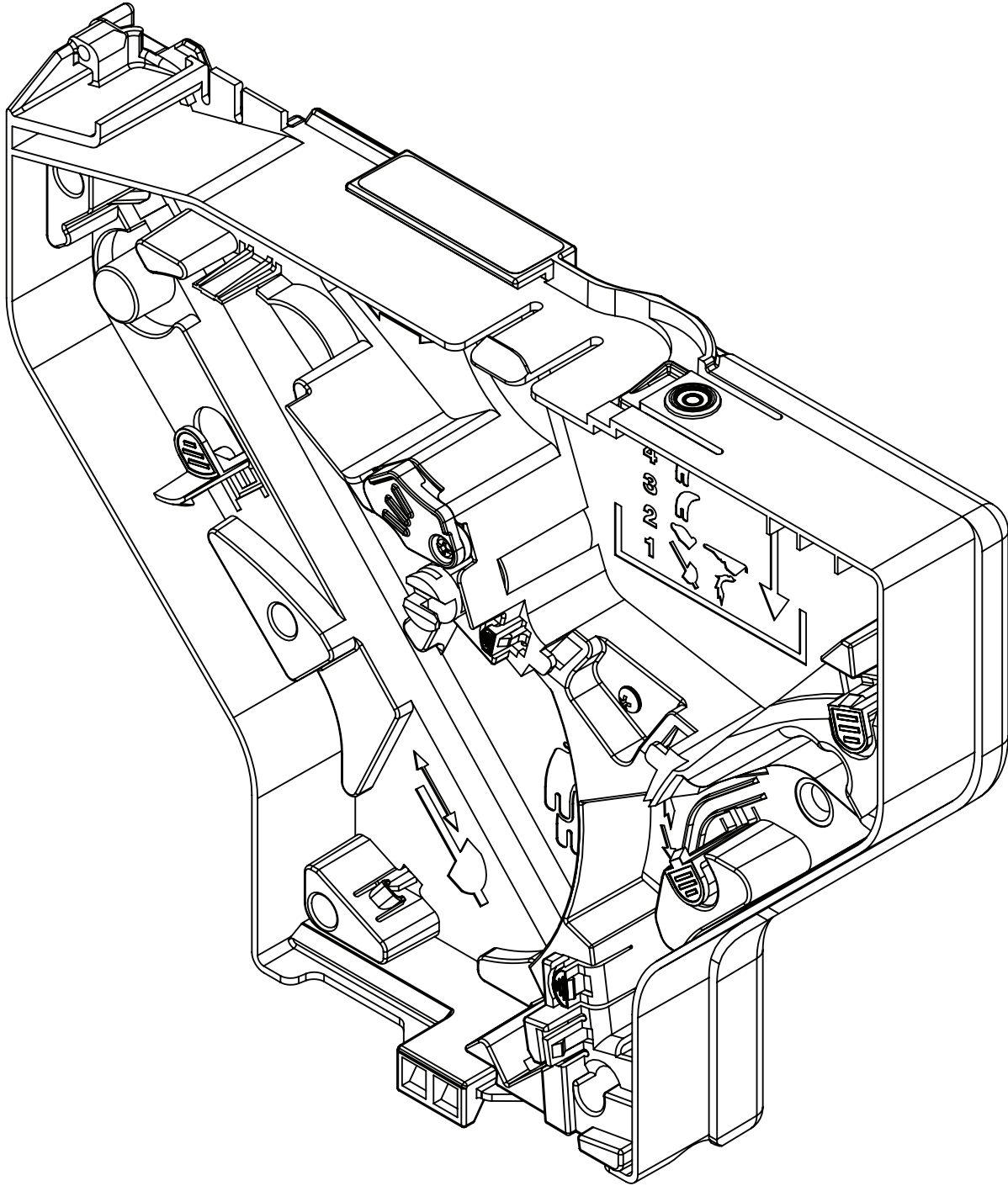
## BILL OF MATERIALS

ITEM NO.	DESCRIPTION	QTY
1	Retainer, Cord Wrap, CTS	2
2	Screw, M4x1.8, 20mm, Button Head, Phillips, Thread Cutting, Black Zinc	2



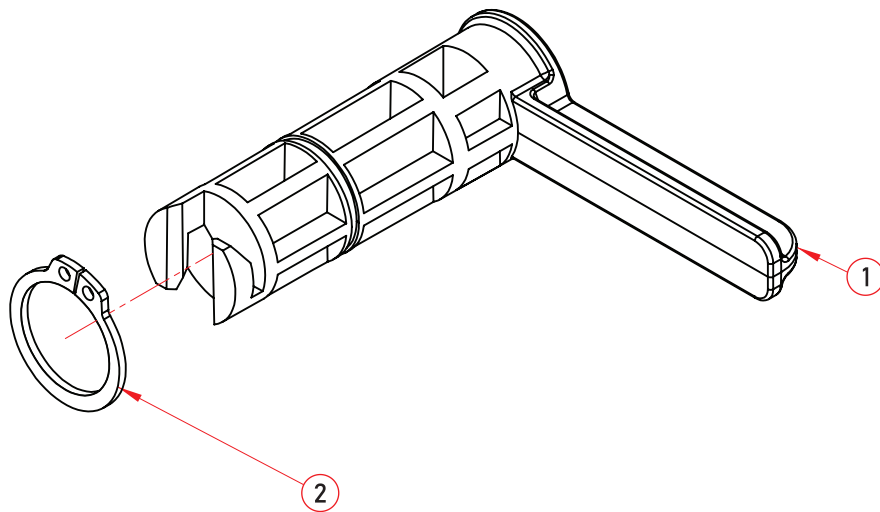
# Storage Assembly

Part Number: CTS-057



# Storage Box Lock Handle

Part Number: CTS-058

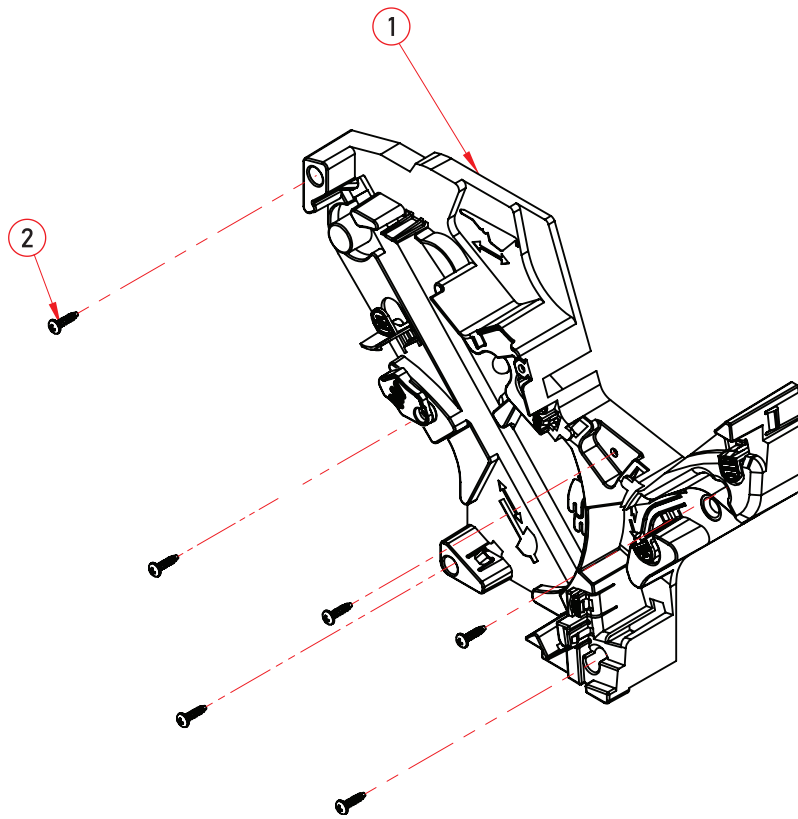


## BILL OF MATERIALS

ITEM NO.	DESCRIPTION	QTY
1	Lock, Handle, Storage Box, CTS	1
2	Retaining Ring, External, 18mm, Black Zinc	1

# Storage Box Insert

Part Number: CTS-059

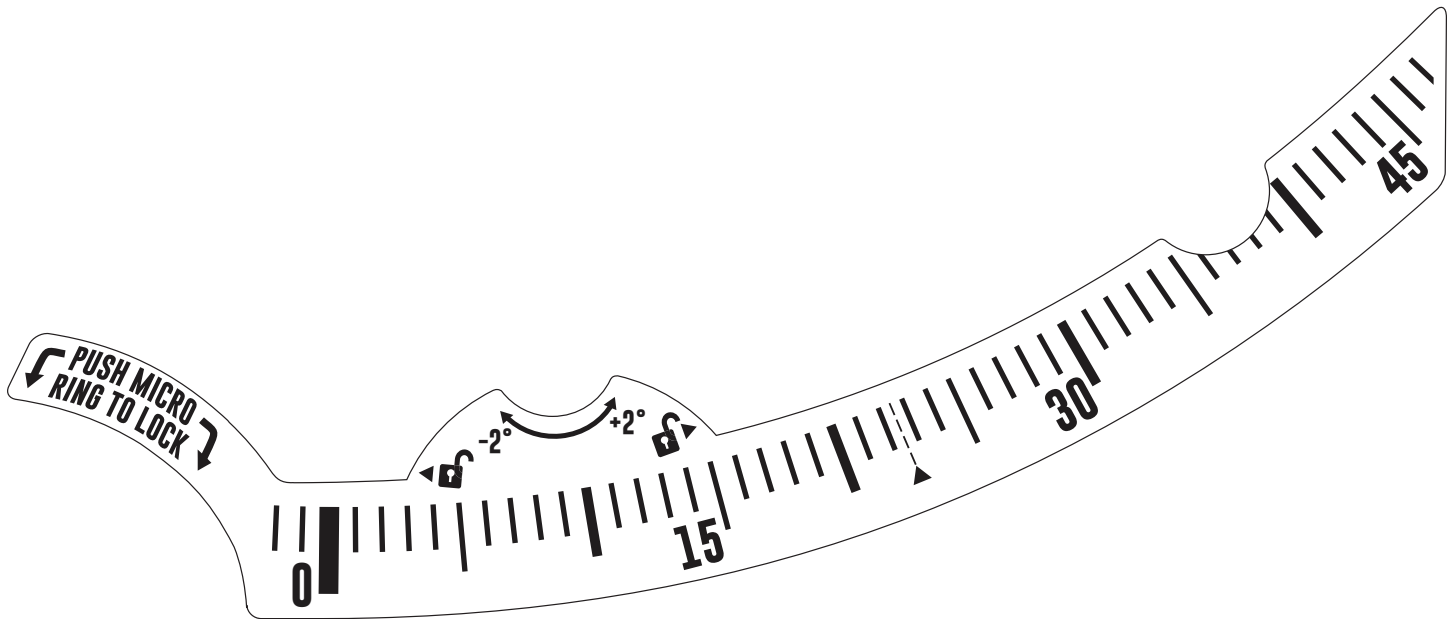


## BILL OF MATERIALS

ITEM NO.	DESCRIPTION	QTY
1	Insert, Storage Box, CTS	1
2	Screw, M4x1.8, 16mm, Button Head, Phillips, Thread Cutting, Black Zinc	6

# Tilt Label

Part Number: CTS-075



# Front Logo Label

---

Part Number: CTS-076



# Storage Logo Label

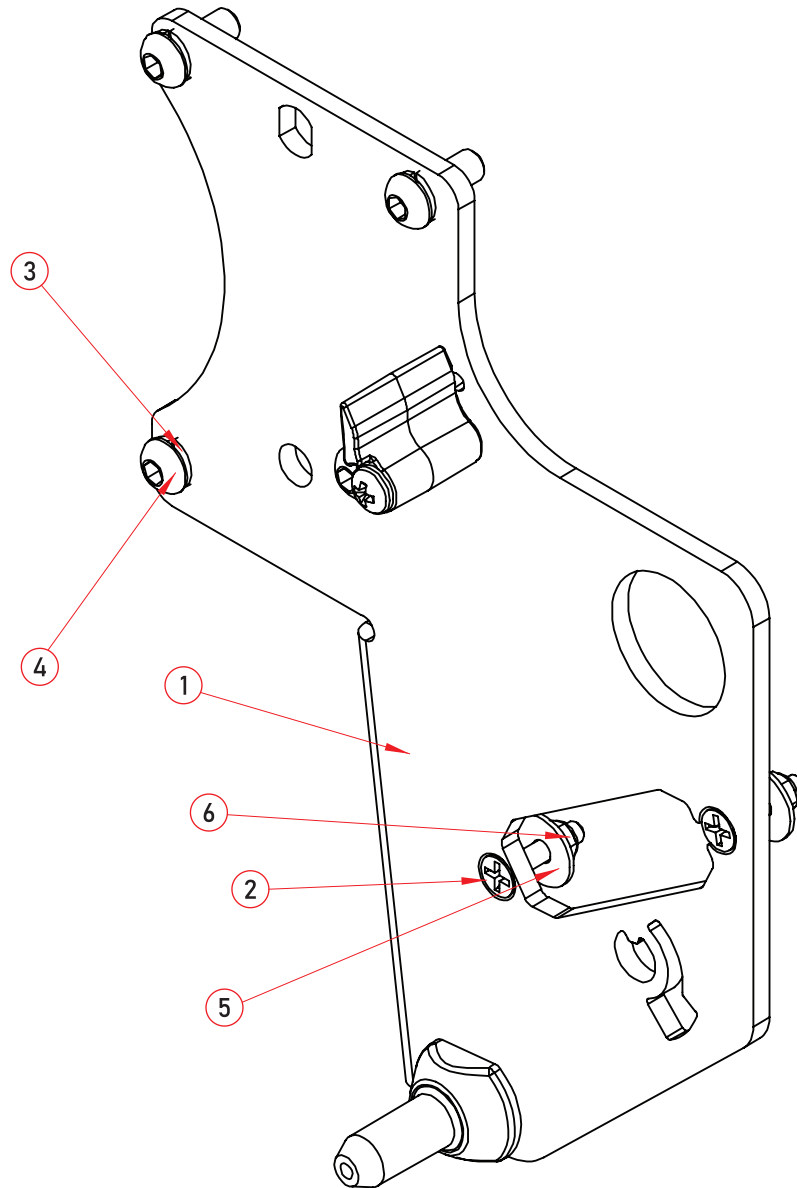
---

Part Number: CTS-077



# Brake Cartridge Bracket

Part Number: CTS-027

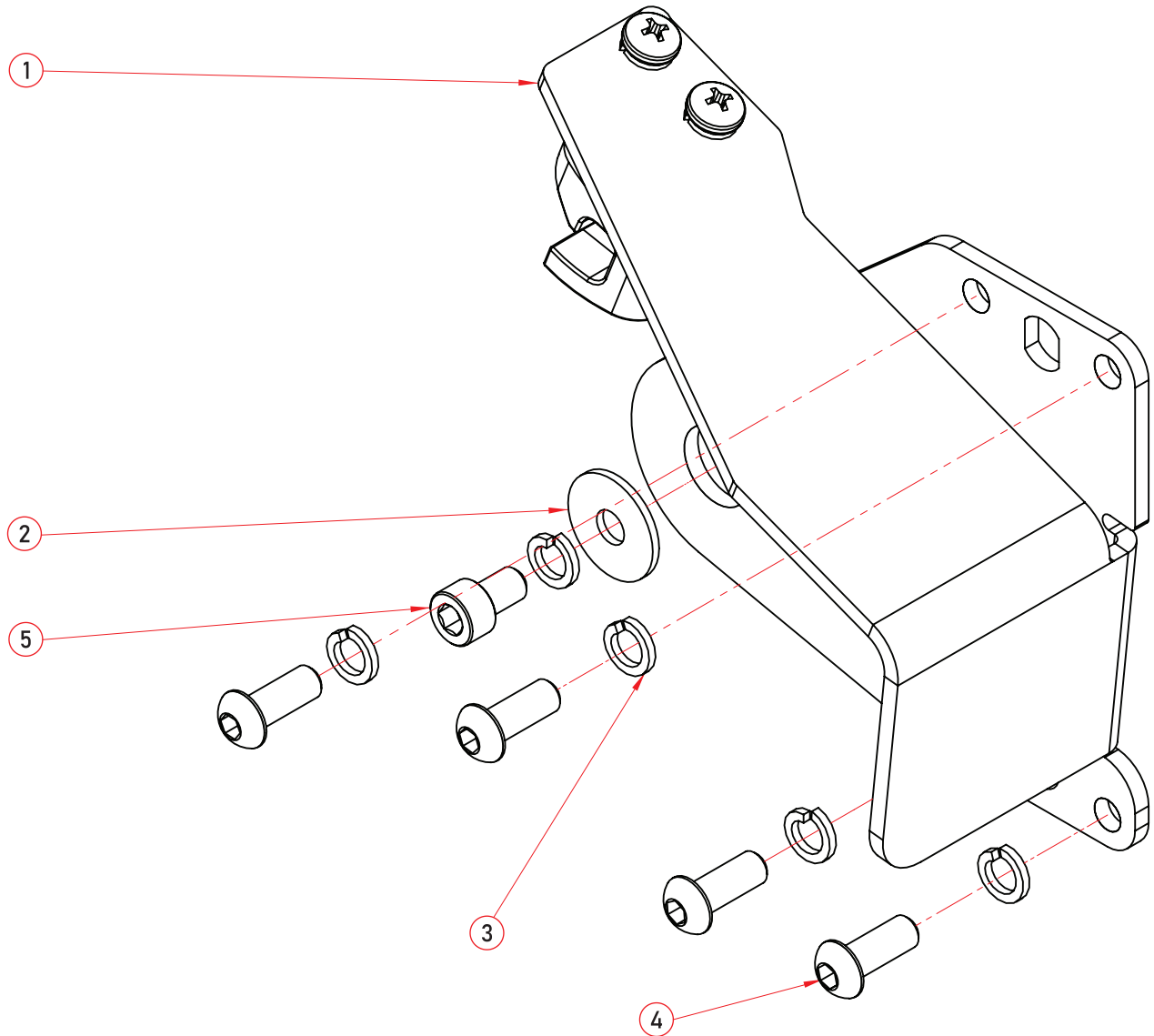


## BILL OF MATERIALS

ITEM NO.	DESCRIPTION	QTY
1	Brake Cartridge Bracket Assembly, CTS	1
2	Bolt, M4x0.7, 20mm, Flat Head, Phillips, Black Zinc	2
3	Washer, M6, Lock, Black Zinc	4
4	Bolt, M6x1.5, 16mm, Button Head, Socket, Black Zinc	4
5	Washer, M4, Flat, 14mm ODx1mm THK, Black Zinc	2
6	Nut, M4x0.7, Nylon Insert, Black Zinc	2

# Retraction Bracket

Part Number: CTS-029



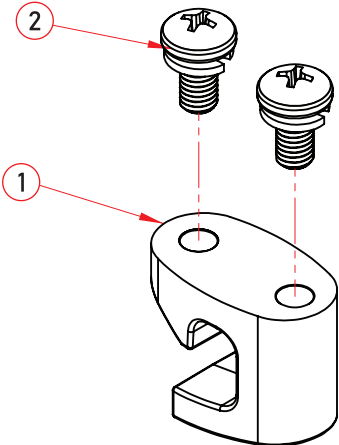
## BILL OF MATERIALS

ITEM NO.	DESCRIPTION	QTY
1	Bracket, Retraction, CTS	1
2	Washer, M6, Flat, 20mm ODx1.5mm THK, Black Zinc	1
3	Washer, M6, Lock, Black Zinc	5
4	Bolt, M6x1.0, 16mm, Button Head, Socket, Black Zinc	4
5	Bolt, M6x1.0, 10mm, Socket Head Cap, Black Zinc	1



# Retraction Block

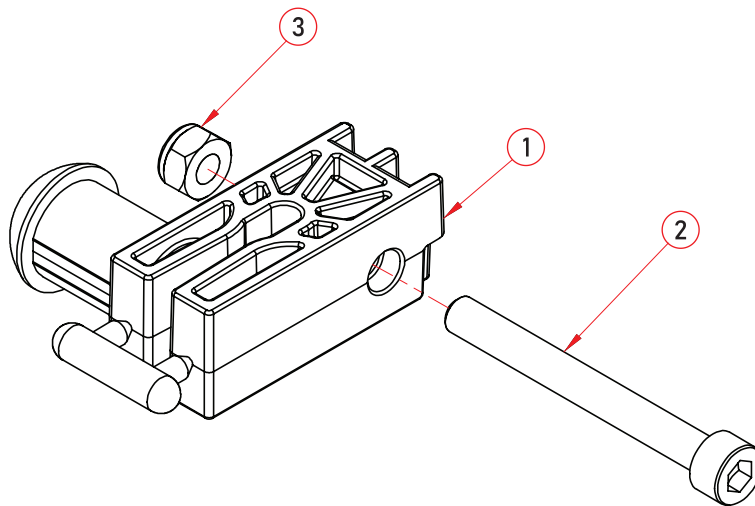
Part Number: CTS-030



BILL OF MATERIALS		
ITEM NO.	DESCRIPTION	QTY
1	Block, Retraction, CTS	1
2	Bolt, M5x0.8, 10mm, Lock Washer, Pan Head, Phillips, Black Zinc	2

# Alignment Block

Part Number: CTS-032

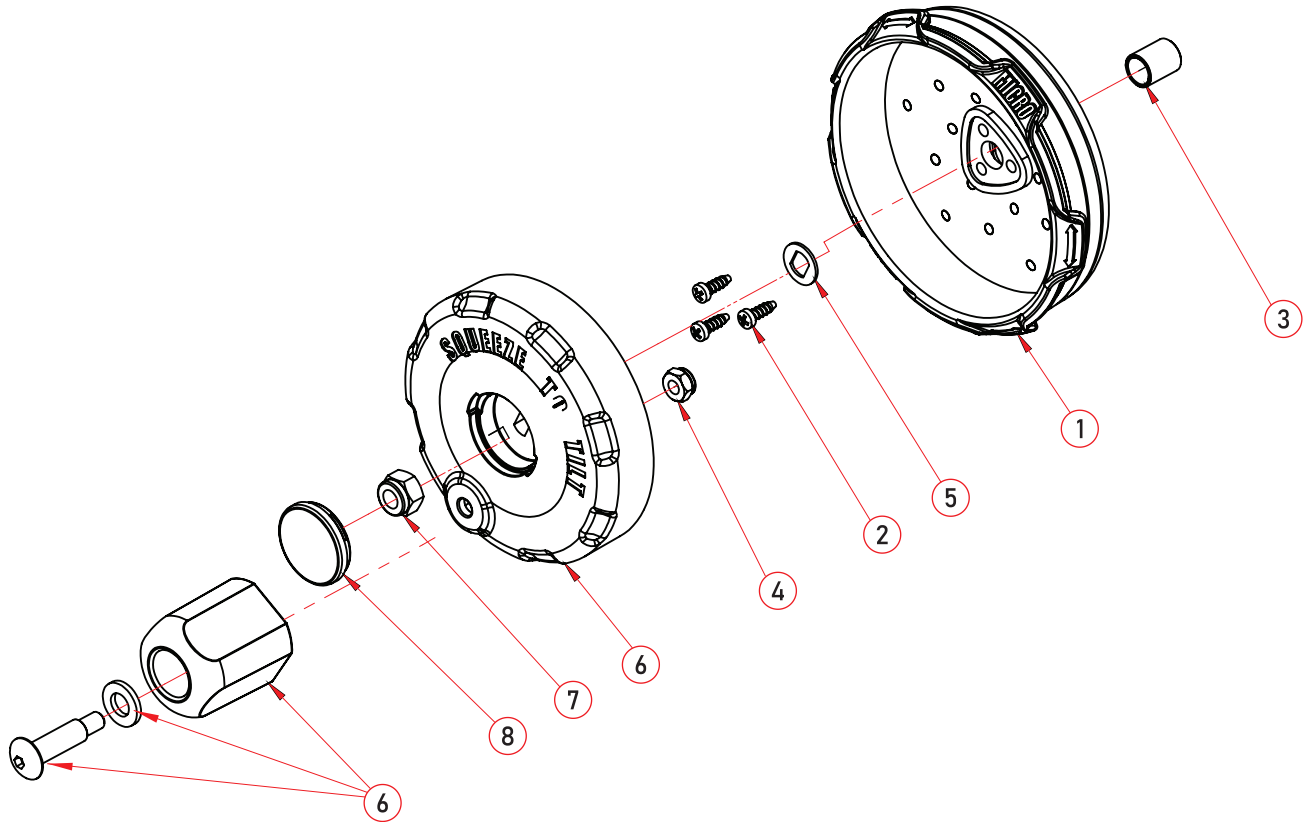


## BILL OF MATERIALS

ITEM NO.	DESCRIPTION	QTY
1	Alignment Block Assembly, Friction Plug, CTS	1
2	Bolt, M6x1.0, 55mm, Socket Head Cap, Black Zinc	1
3	Nut, M6x1.0, Nylon Insert, Black Zinc	1

# Elevation Bevel Handwheel

Part Number: CTS-033

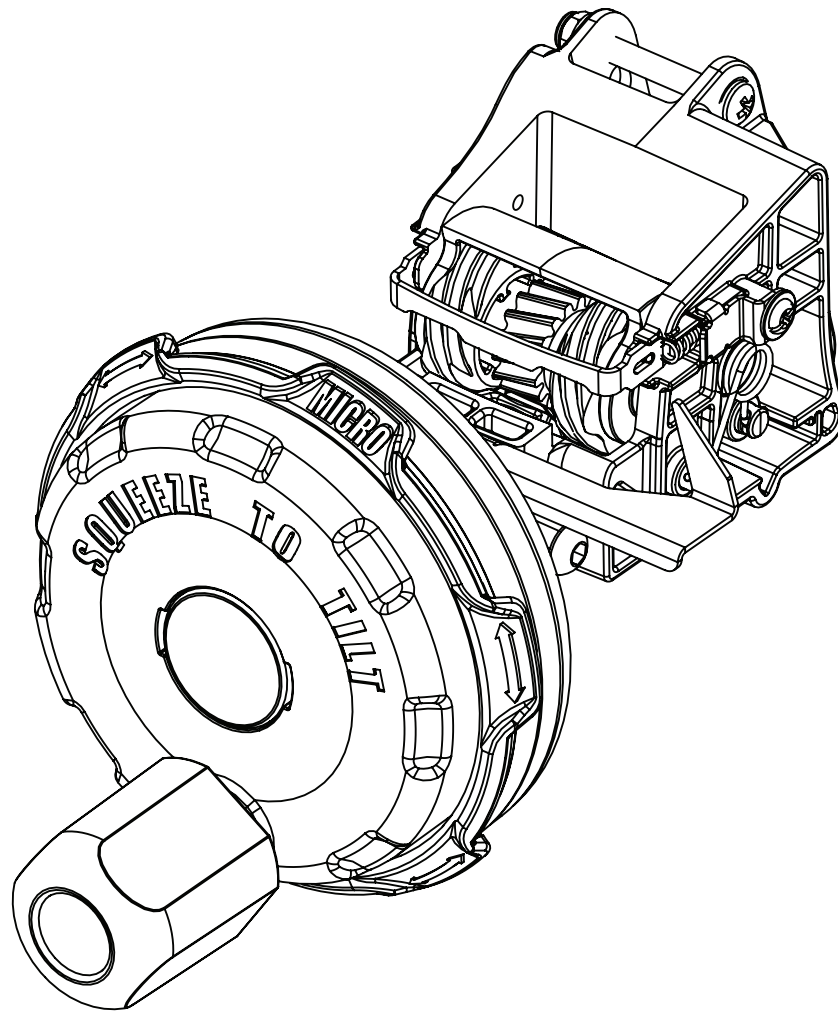


## BILL OF MATERIALS

ITEM NO.	DESCRIPTION	QTY
1	Handle, Bevel, Handwheel, CTS	1
2	Screw, M4x1.8, 12mm, Filister Head, Phillips, Thread Cutting, Black Zinc	3
3	Bushing, Bevel Release, Shaft, CTS	1
4	Nut, M6x1.0, Nylon Insert, Silver Zinc	1
5	Washer, Elevation Handle, CTS	1
6	Handwheel Assembly, Elevation, CTS	1
7	Nut, M8x1.25, Nylon Insert, Silver Zinc	1
8	Cap, Handwheel, CTS	1

# Bevel Assembly

Part Number: CTS-034

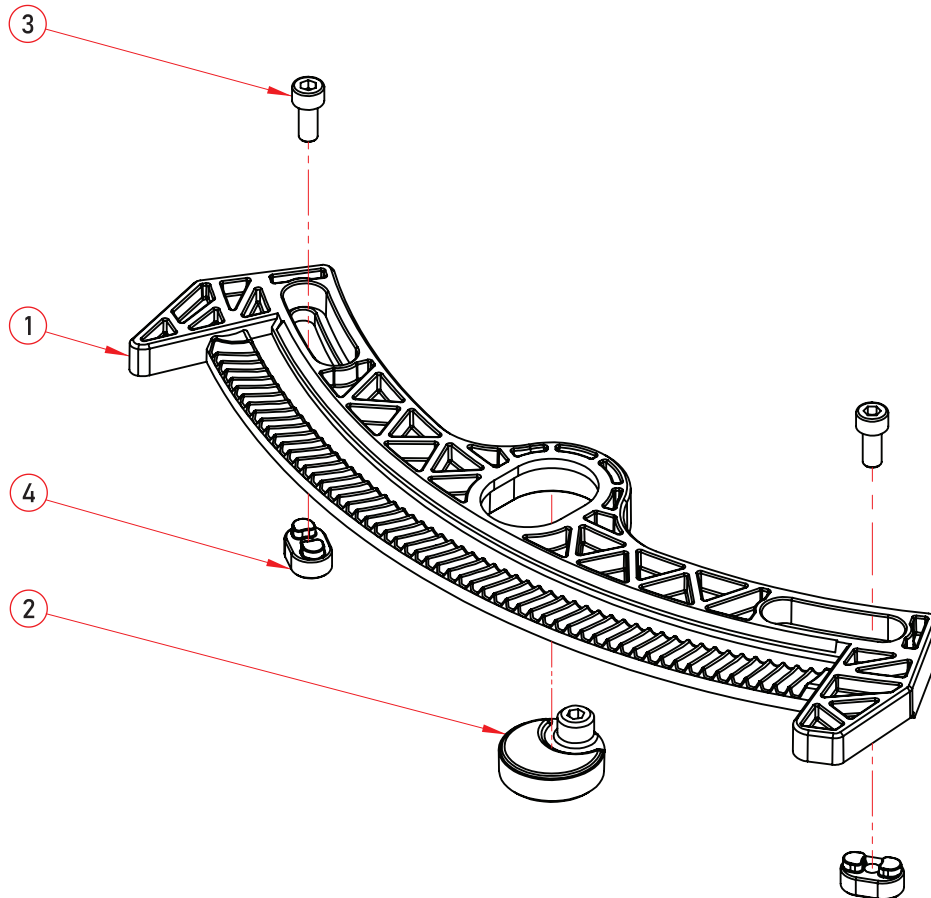


## BILL OF MATERIALS

ITEM NO.	DESCRIPTION	QTY
1	Handle, Bevel, Handwheel, CTS	1
2	Screw, M4x1.8, 12mm, Filister Head, Phillips, Thread Cutting, Black Zinc	3
3	Bushing, Bevel Release, Shaft, CTS	1
4	Indicator, Tilt, CTS	1
5	Screw, M4x1.8, 12mm, Truss Head, Phillips, Thread Cutting, Silver Zinc	3
6	Handwheel Assembly, Elevation, CTS	1
7	Nut, M5x0.8, Nylon Insert, Black Zinc	3
8	Cap, Handwheel, CTS	1
9	Nut, M8x1.25, Nylon Insert, Silver Zinc	1
10	Washer, Elevation Handle, CTS	1

# Bevel Rack

Part Number: CTS-035

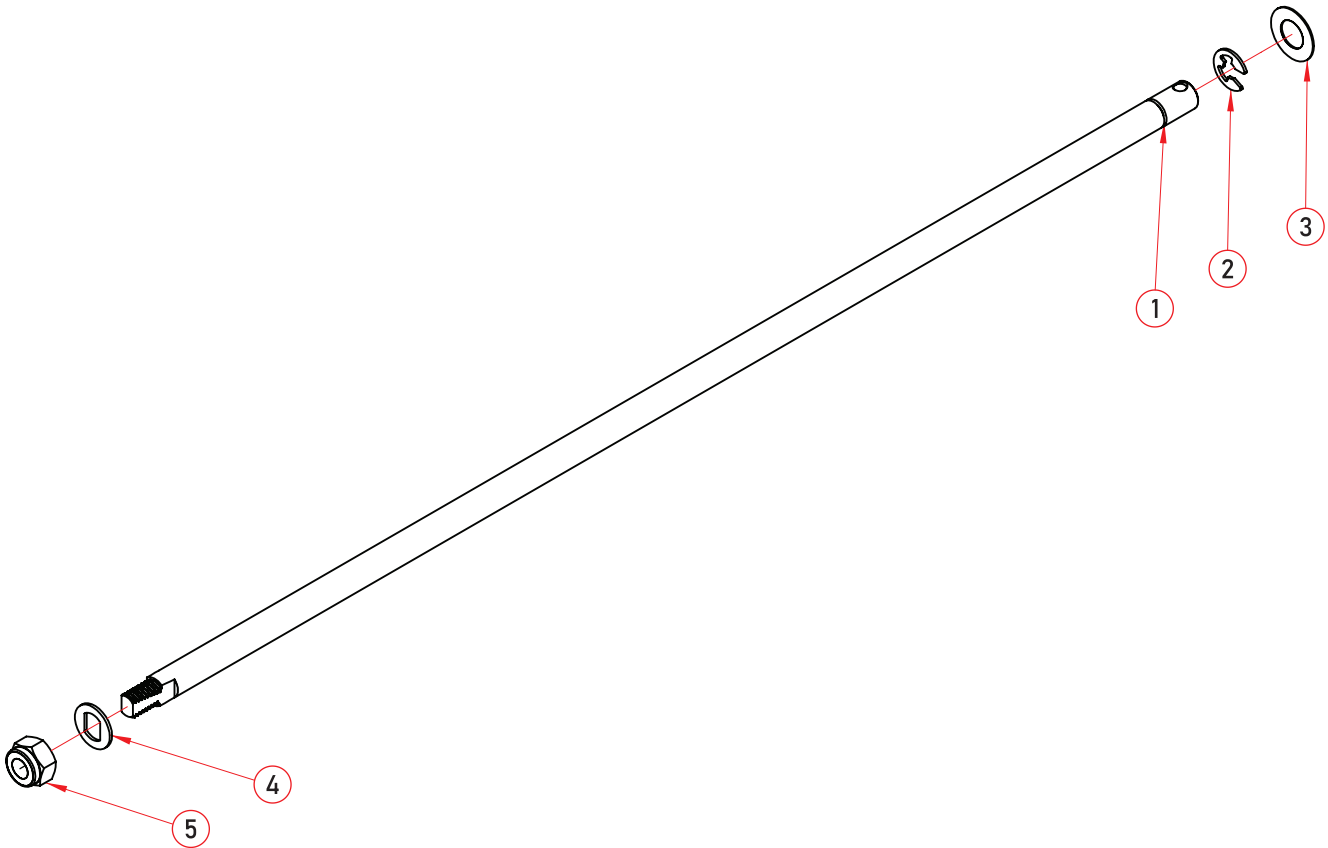


## BILL OF MATERIALS

ITEM NO.	DESCRIPTION	QTY
1	Rack, Bevel, CTS	1
2	Cam, Bevel Rack, CTS	1
3	Bolt, M5x0.8, 12mm, Socket Head Cap, Black Zinc	2
4	Nut, Bevel Rack, CTS	2

# Elevation Control Shaft

Part Number: CTS-036

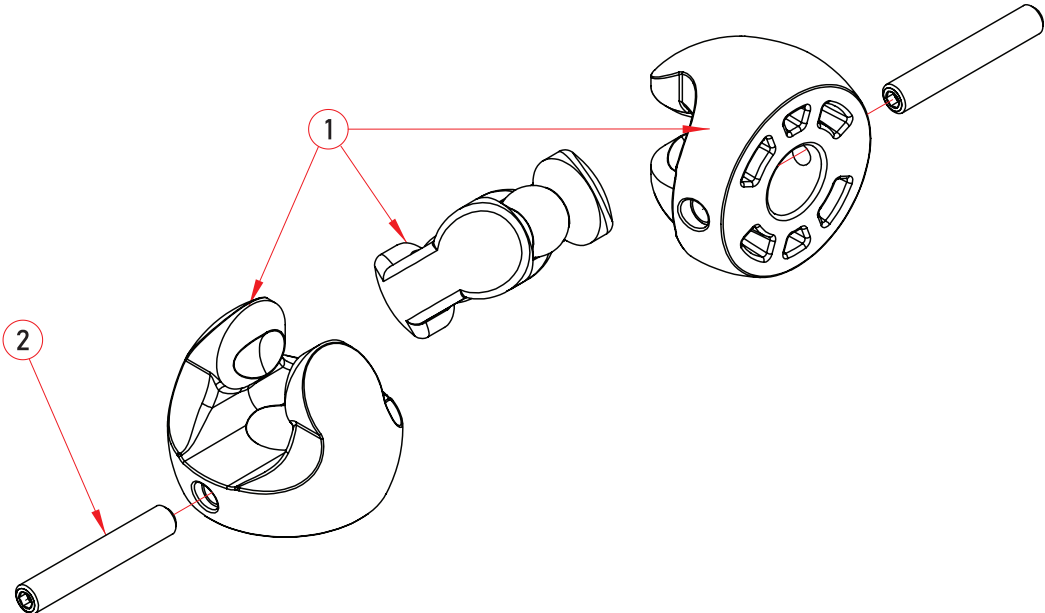


## BILL OF MATERIALS

ITEM NO.	DESCRIPTION	QTY
1	Shaft, Elevation Control, CTS	1
2	Retaining Ring, E-Style, 7mm, Black Zinc	1
3	Washer, M9, Flat, 18mm ODx0.5mm THK, Black Zinc	1
4	Washer, Elevation Handle, CTS	1
5	Nut, M8x1.25, Nylon Insert, Silver Zinc	1

# U-Joint

Part Number: CTS-037

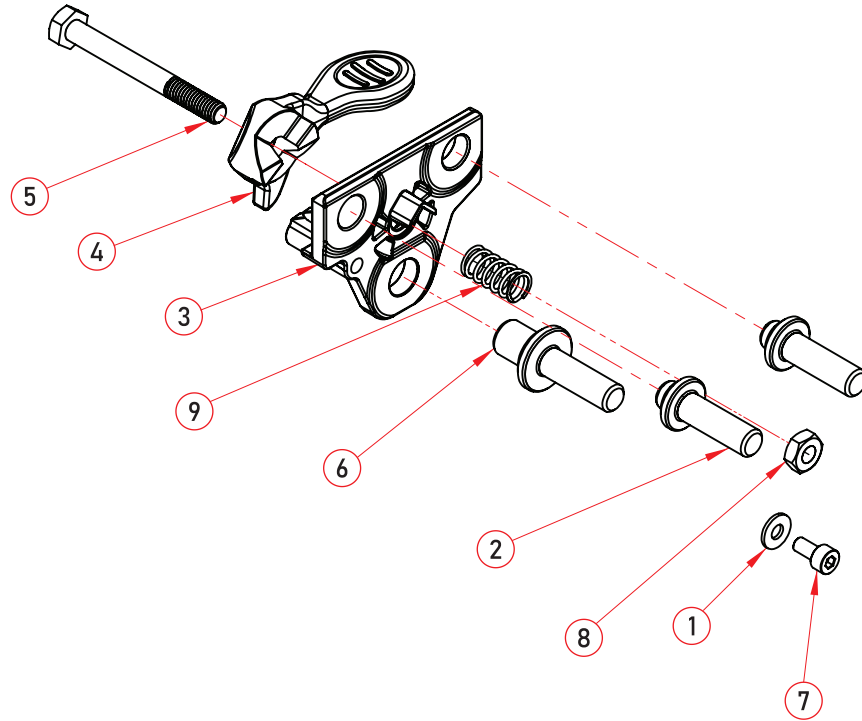


BILL OF MATERIALS		
ITEM NO.	DESCRIPTION	QTY
1	U-Joint Assembly, Elevation Control, CTS	1
2	Set Screw, M4x0.7, 25mm, Socket Head, Black Zinc	2



# Riving Knife Clamp Assembly

Part Number: CTS-049



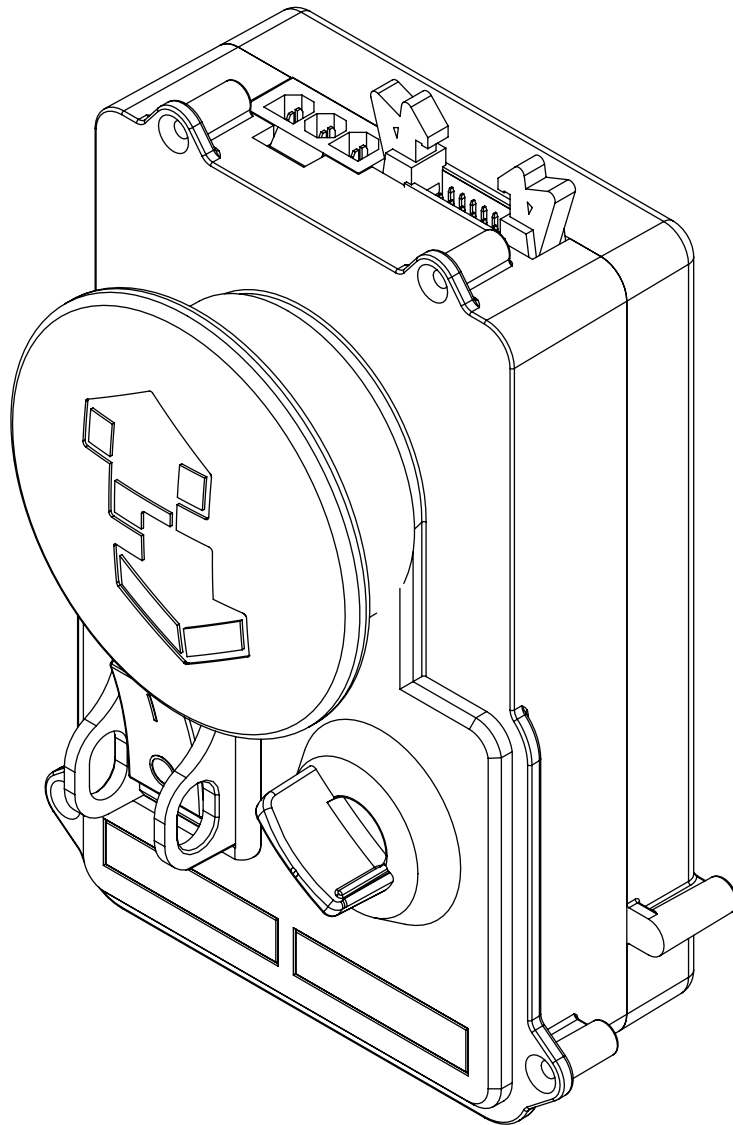
## BILL OF MATERIALS

ITEM NO.	DESCRIPTION	QTY
1	Washer, M4, Flat, 10mm ODx1mm THK, Black Zinc	1
2	Pin, Spreader Mounting, Upper, CTS	2
3	Plate, Spreader Clamp, CTS	1
4	Handle, Spreader Clamp, CTS	1
5	Bolt, M6x1.0, 55mm, Partially Threaded, Hex Head, Black Zinc	1
6	Pin, Spreader Mounting, Lower, CTS	1
7	Bolt, M4x0.7, 8mm, Socket Head Cap, Black Zinc	1
8	Nut, M6x1.0, Black Zinc	1
9	Spring, Spreader Clamping, Compression, JSS	1



# Switch Box Assembly

Part Number: CTS-038

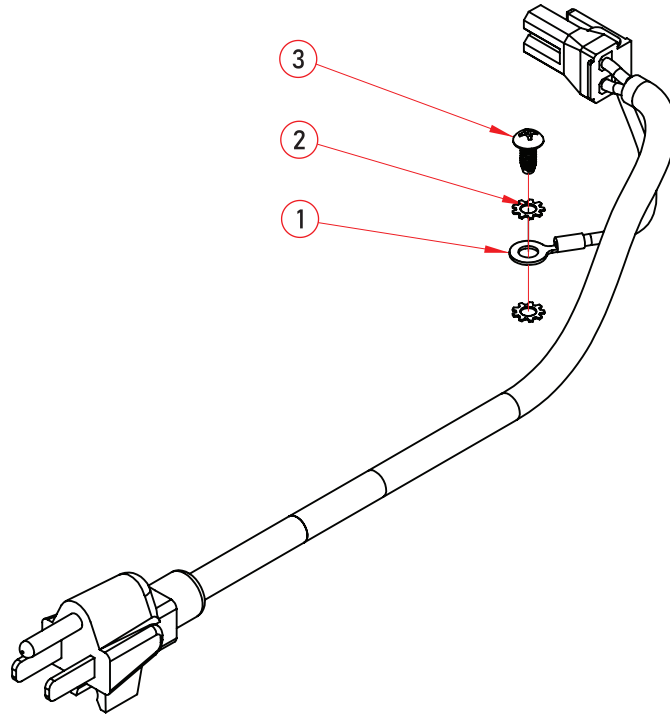


# 120VAC Power Cable

Motor and Power

US Version

Part Number: CTS-039



## BILL OF MATERIALS

ITEM NO.	DESCRIPTION	QTY
1	Cable, Power, 120VAC, CTS	1
2	Washer, M4, External Tooth, Lock, Silver Zinc	2
3	Screw, 8-32, 3/8", Button Head, Phillips, Thread Cutting, Silver Zinc	1

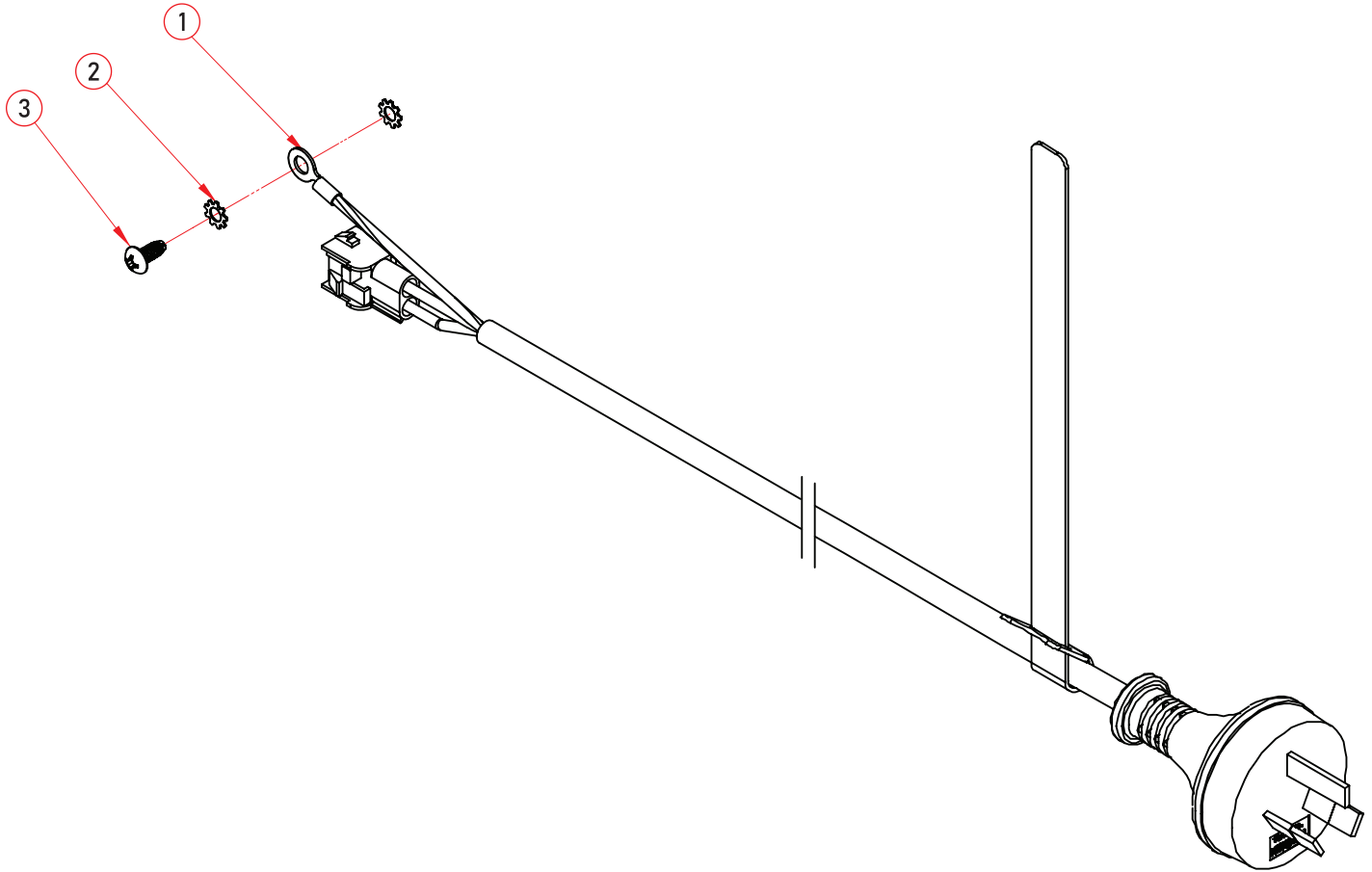


# 230VAC Power Cable

Motor and Power

Australia Version

Part Number: CTS-040



## BILL OF MATERIALS

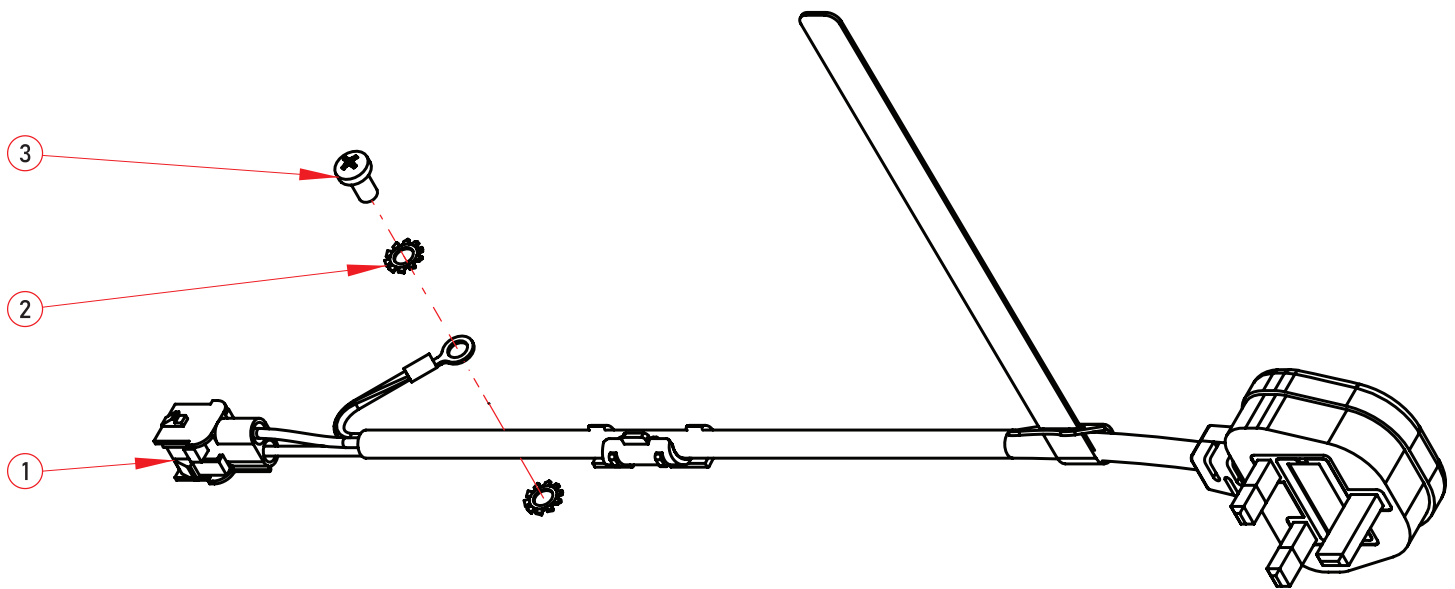
ITEM NO.	DESCRIPTION	QTY
1	Cable, Power, 240VAC, 2m, CTS-AU	1
2	Washer, M4, External Tooth, Lock, Silver Zinc	2
3	Screw, 8-32, 3/8", Button Head, Phillips, Thread Cutting, Silver Zinc	1

# 230VAC Power Cable

Motor and Power

UK Version

Part Number: CTS-106



## BILL OF MATERIALS

ITEM NO.	DESCRIPTION	QTY
1	Cable Assembly, Power, 230VAC, UK, CTS-CE	1
2	Washer, M5, External Tooth, Lock, Silver Zinc	2
3	Screw, M5x0.8, 10mm, Pan Head, Phillips, Thread Cutting, Silver Zinc	1

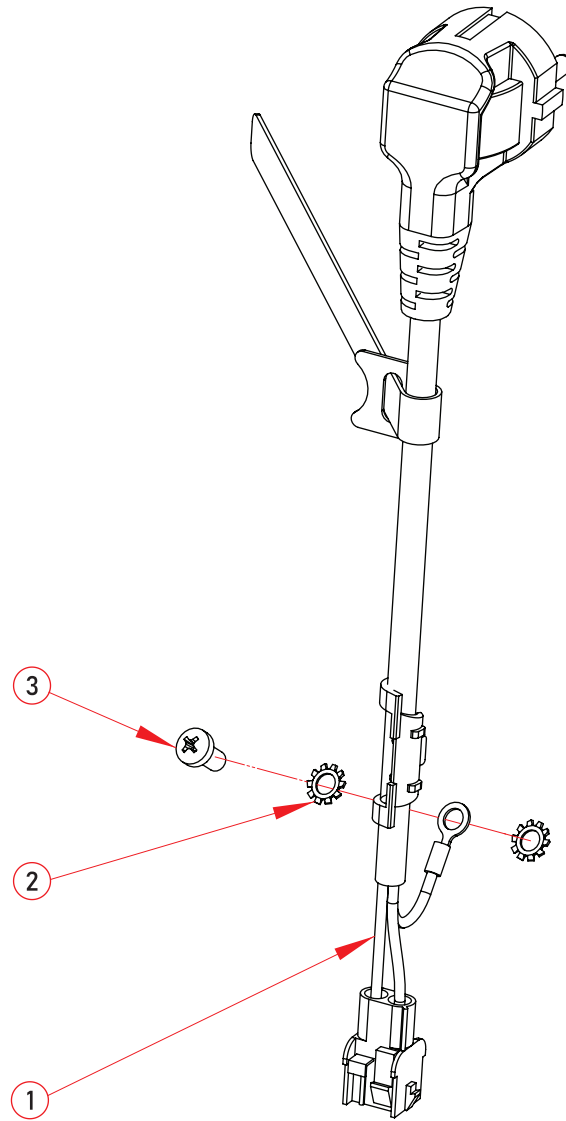


# 230VAC Power Cable

Motor and Power

Europe Version

Part Number: CTS-107



## BILL OF MATERIALS

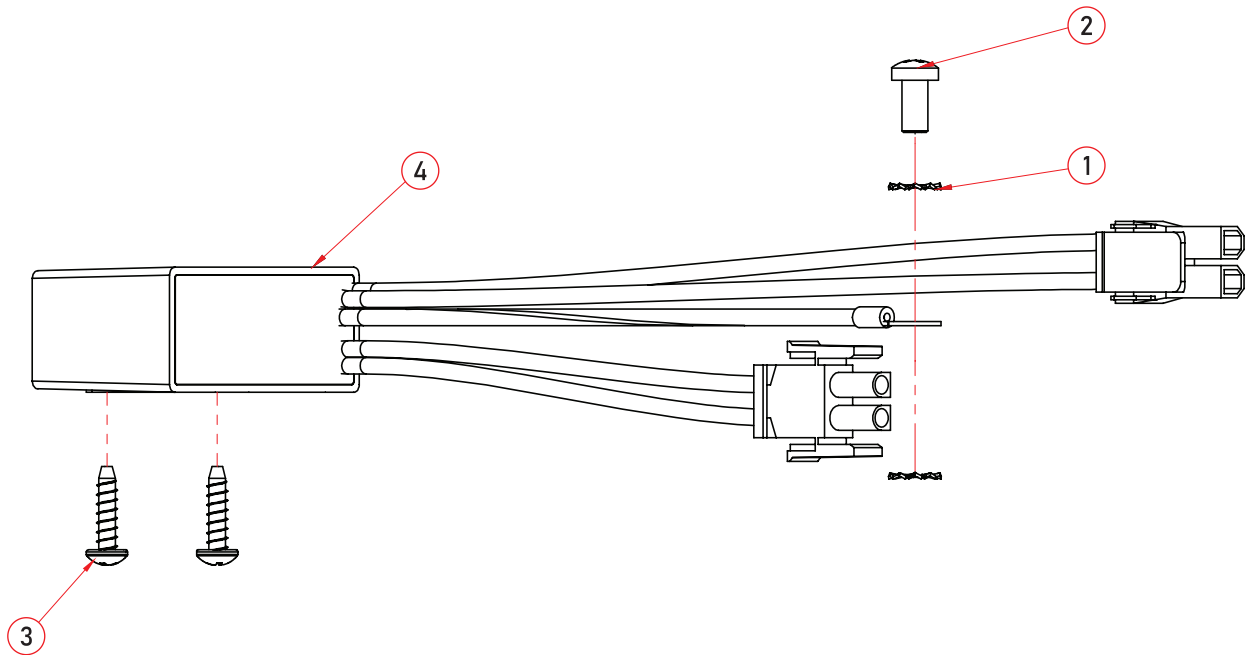
ITEM NO.	DESCRIPTION	QTY
1	Cable Assembly, Power, 230VAC, EU, CTS-CE	1
2	Washer, M5, External Tooth, Lock, Silver Zinc	2
3	Screw, M5x0.8, 10mm, Pan head, Phillips, Thread Cutting, Silver Zinc	1



# Cable Assembly and EMC Filter

Australia, Europe, and UK Version

Part Number: CTS-041



## BILL OF MATERIALS

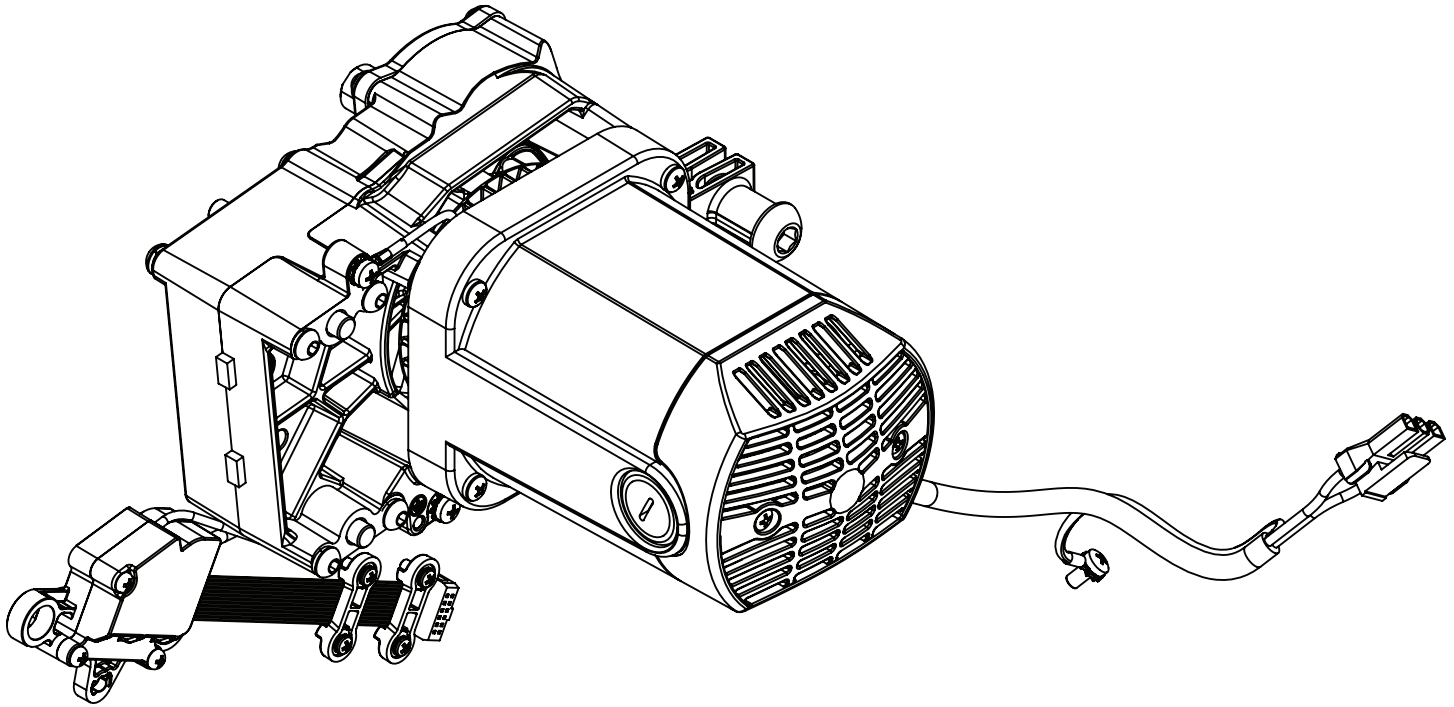
ITEM NO.	DESCRIPTION	QTY
1	Washer, M5, External Tooth, Lock, Silver Zinc	2
2	Screw, M5x0.8, 10mm, Pan Head, Phillips, Thread Cutting, Silver Zinc	1
3	Screw, M4x1.8, 16mm, Button Head, Phillips, Thread Cutting, Black Zinc	2
4	Cable Assembly, EMC Filter, CTS-AU	1

# 120V, 60Hz Motor

Motor and Power

US Version

Part Number: CTS-042



## BILL OF MATERIALS

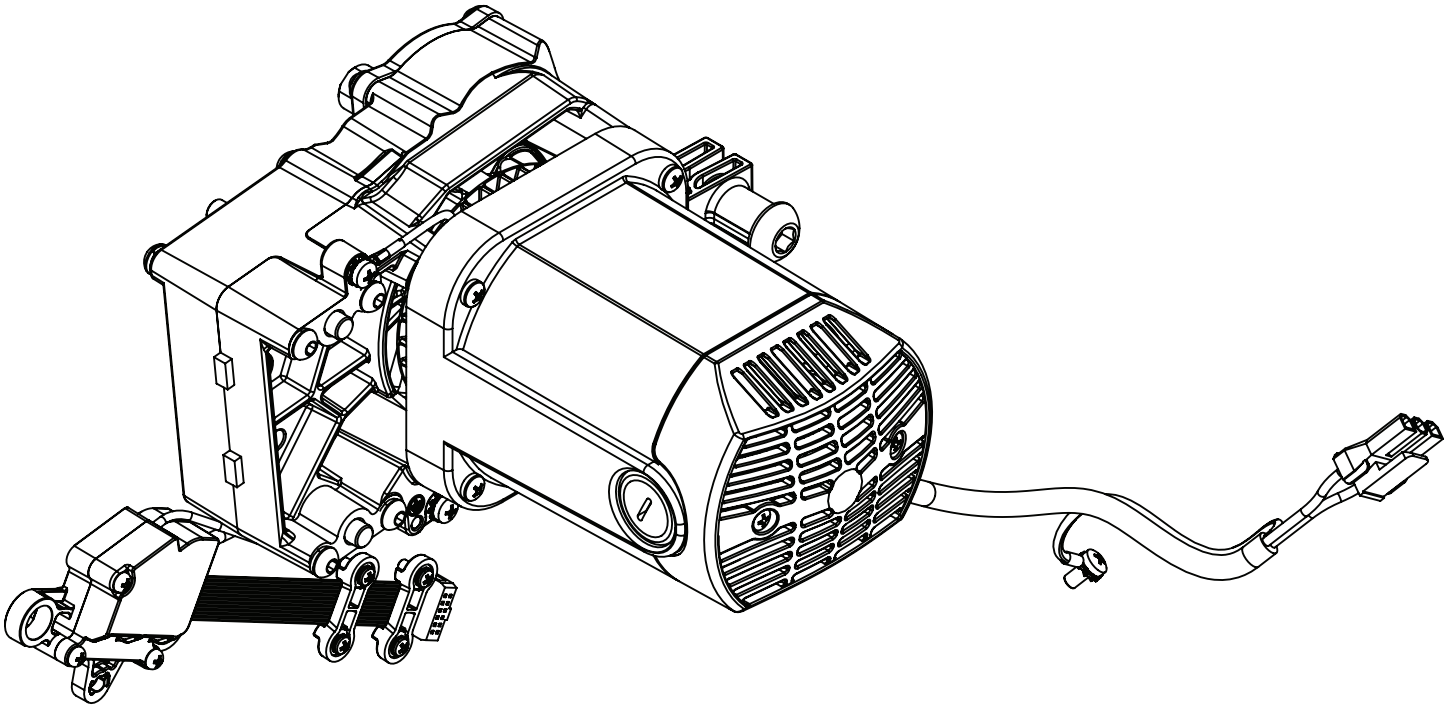
ITEM NO.	DESCRIPTION	QTY
1	Motor Assembly, CTS	1
2	Bolt, M5x0.8, 10mm, Pan Head, Phillips, Black Zinc	5
3	Clamp, Cable, Retaining, 4mm, Plastic	1
4	Clamp, Ribbon Cable, CTS	2
5	Bolt, M4x0.7, 10mm, Lock Washer, Button Head, Phillips, Black Zinc	4

# 230V, 50Hz Motor

Motor and Power

Australia, Europe, and UK Version

Part Number: CTS-043



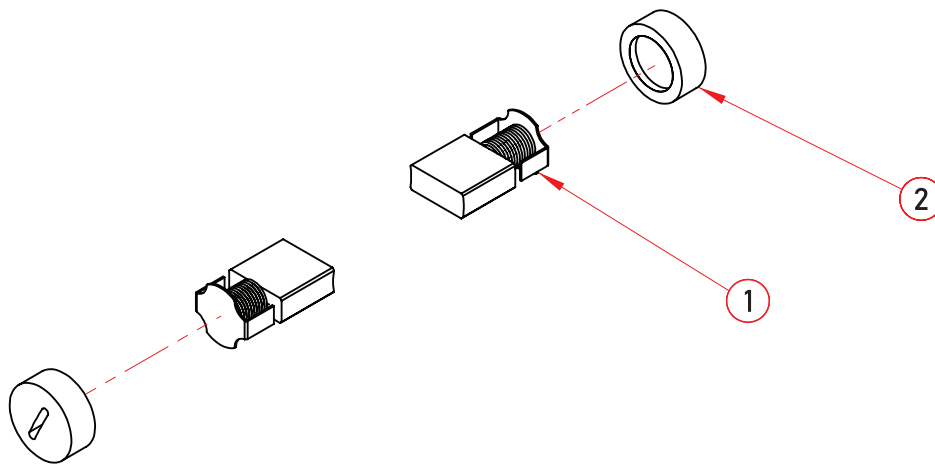
## BILL OF MATERIALS

ITEM NO.	DESCRIPTION	QTY
1	Motor Assembly, CTS	1
2	Bolt, M5x0.8, 10mm, Pan Head, Phillips, Black Zinc	5
3	Clamp, Cable, Retaining, 4mm, Plastic	1
4	Clamp, Ribbon Cable, CTS	2
5	Bolt, M4x0.7, 10mm, Lock Washer, Button Head, Phillips, Black Zinc	4



# Motor Brush

Part Number: CTS-045

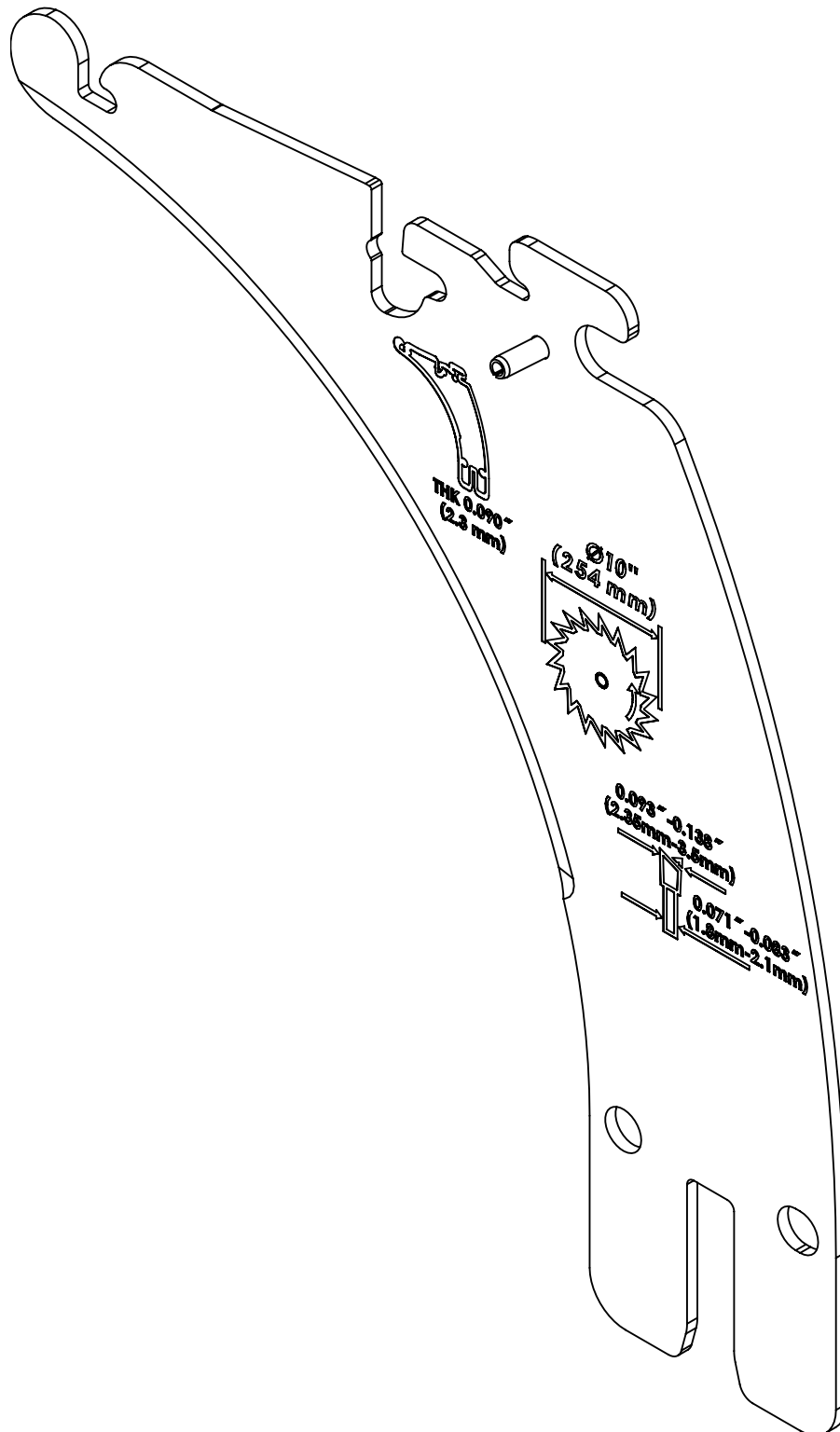


## BILL OF MATERIALS

ITEM NO.	DESCRIPTION	QTY
1	Brush, Motor, CTS	2
2	Cap, Motor Brush, CTS	2

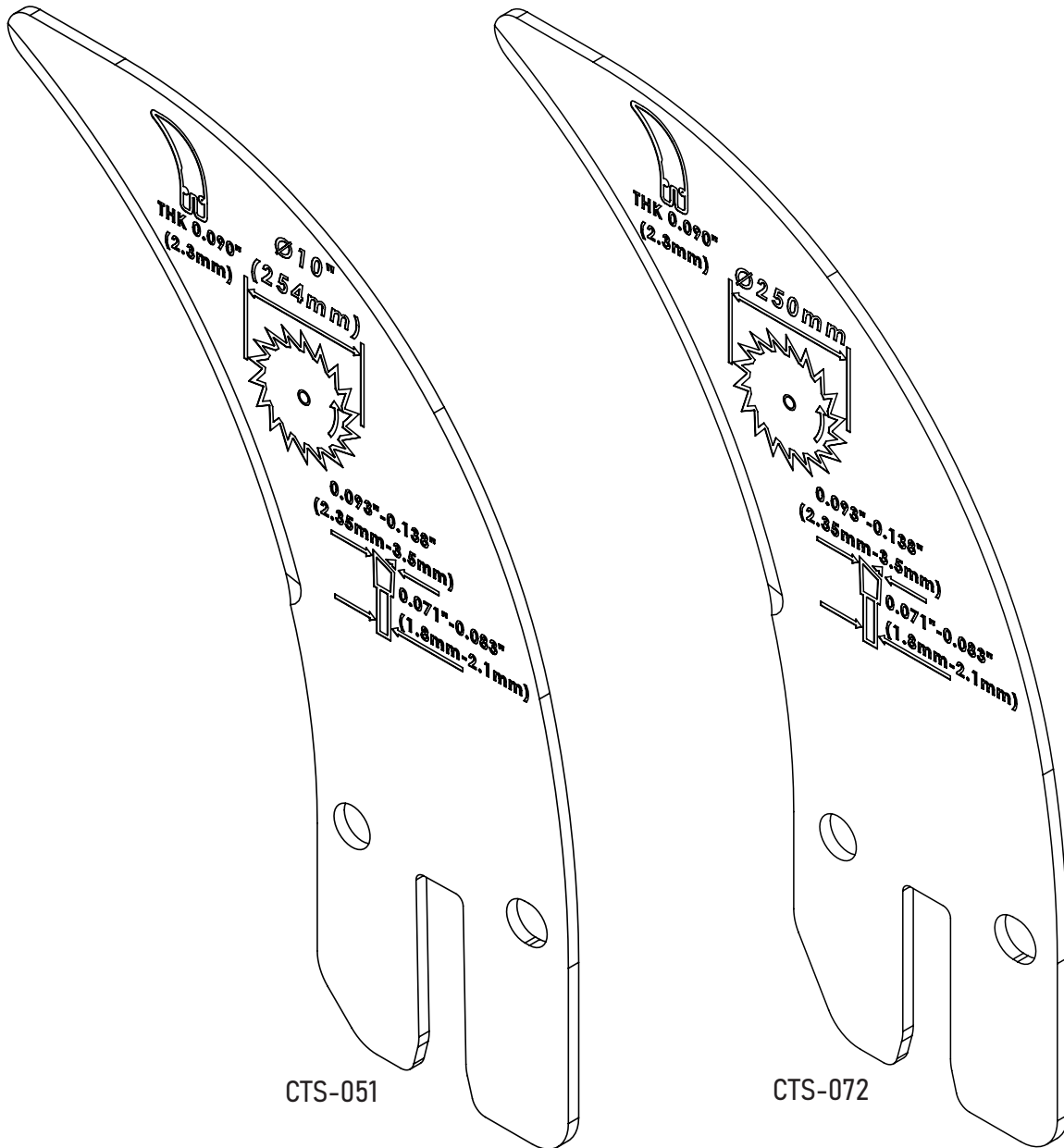
# Spreader

Part Number: CTS-050



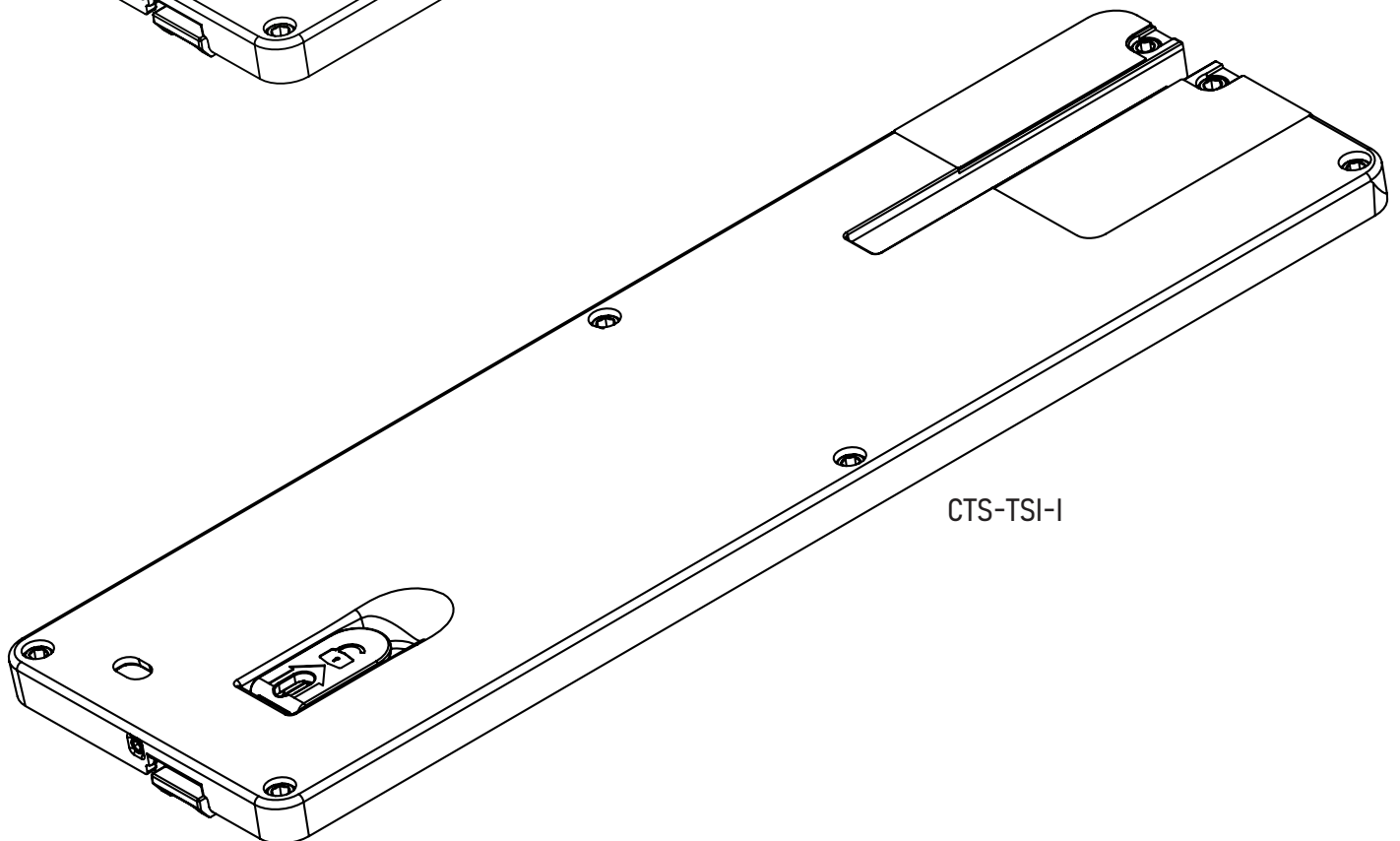
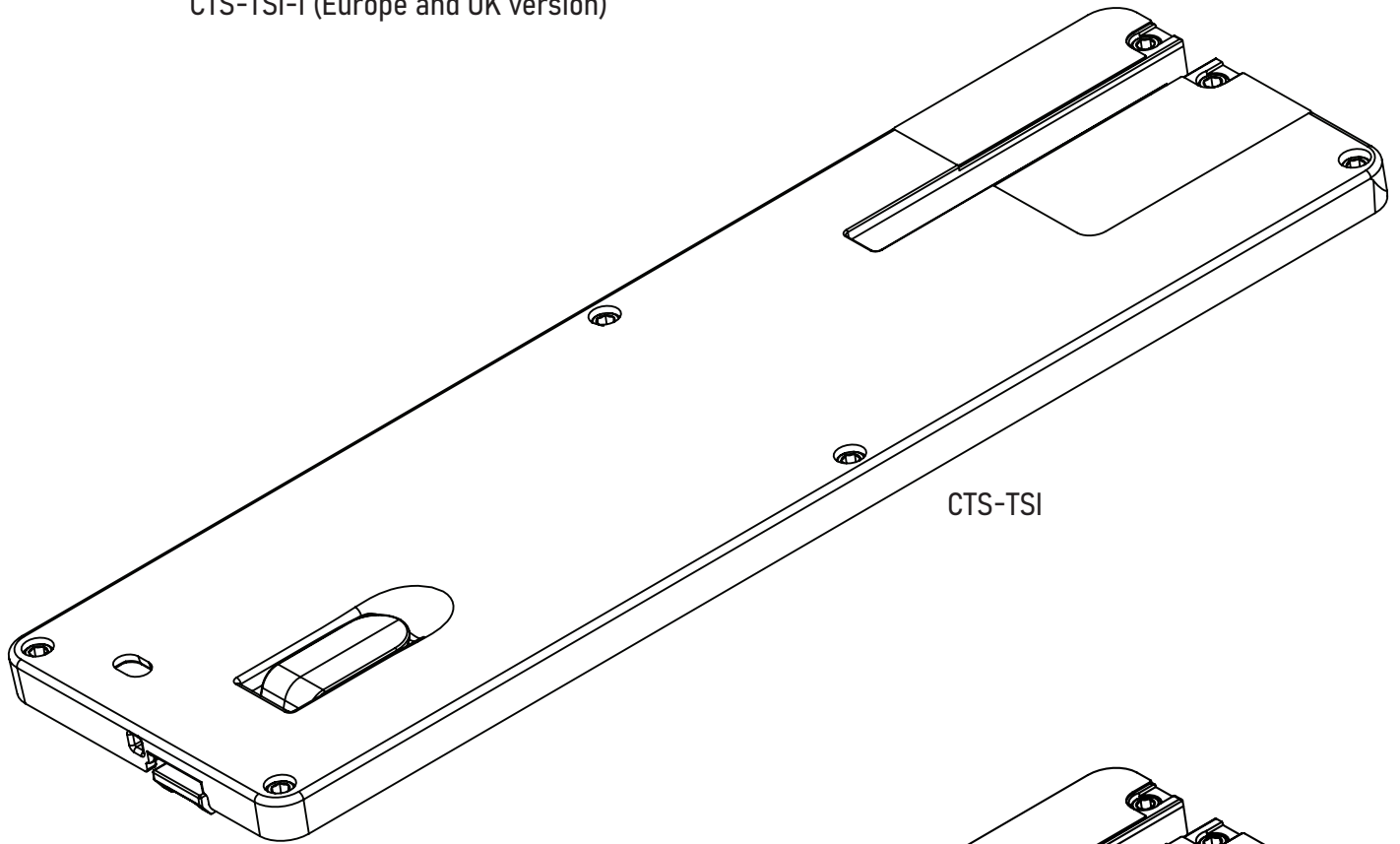
# Riving Knife

Part Number: CTS-051 (For use with 10" blades only)  
 CTS-072 (For use with 250mm blades only)



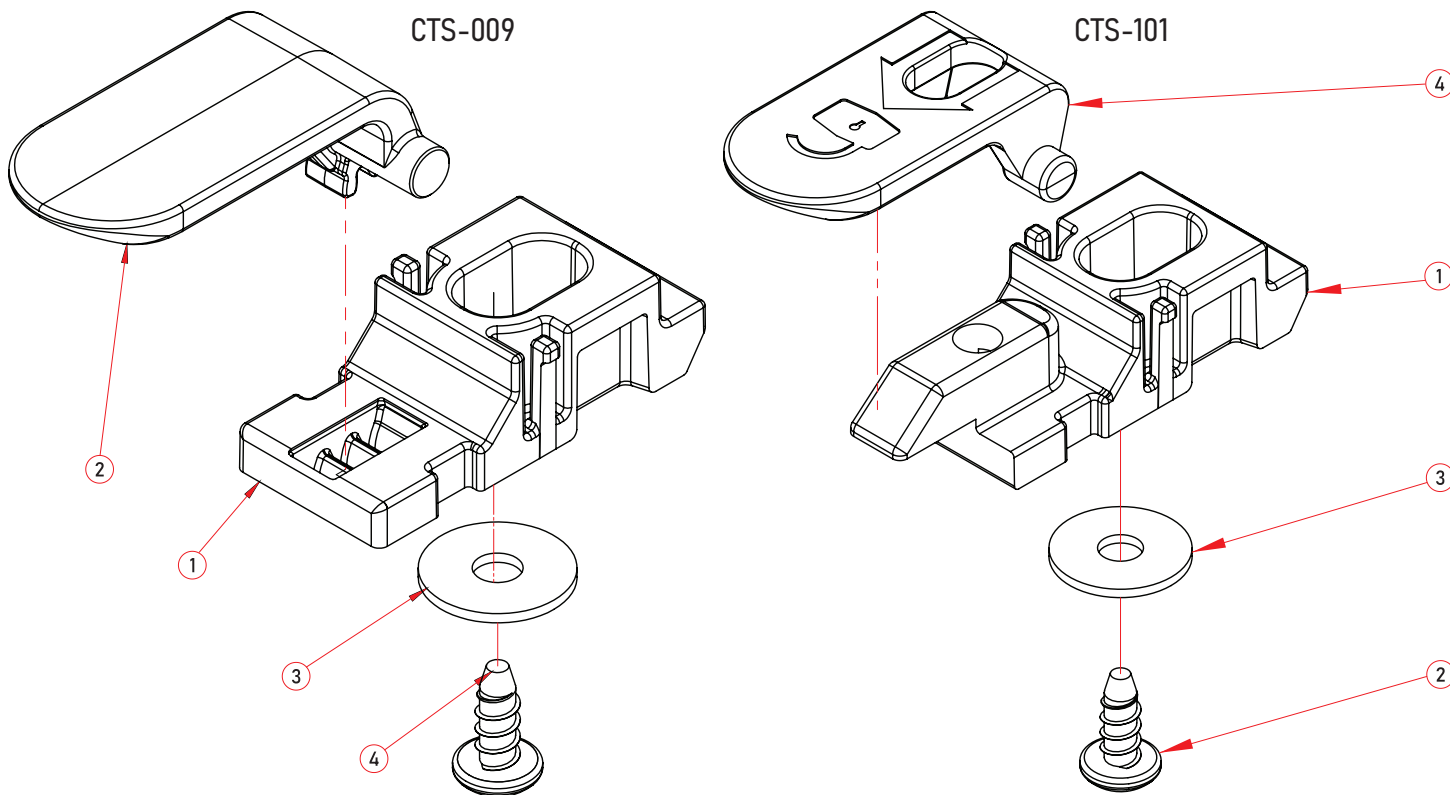
# Standard Table Saw Insert

Part Number: CTS-TSI (US and Australia version)  
CTS-TSI-I (Europe and UK version)



# Table Insert Latch Assembly

Part Number: CTS-009 (US and Australia version)  
 CTS-101 (Europe and UK version)

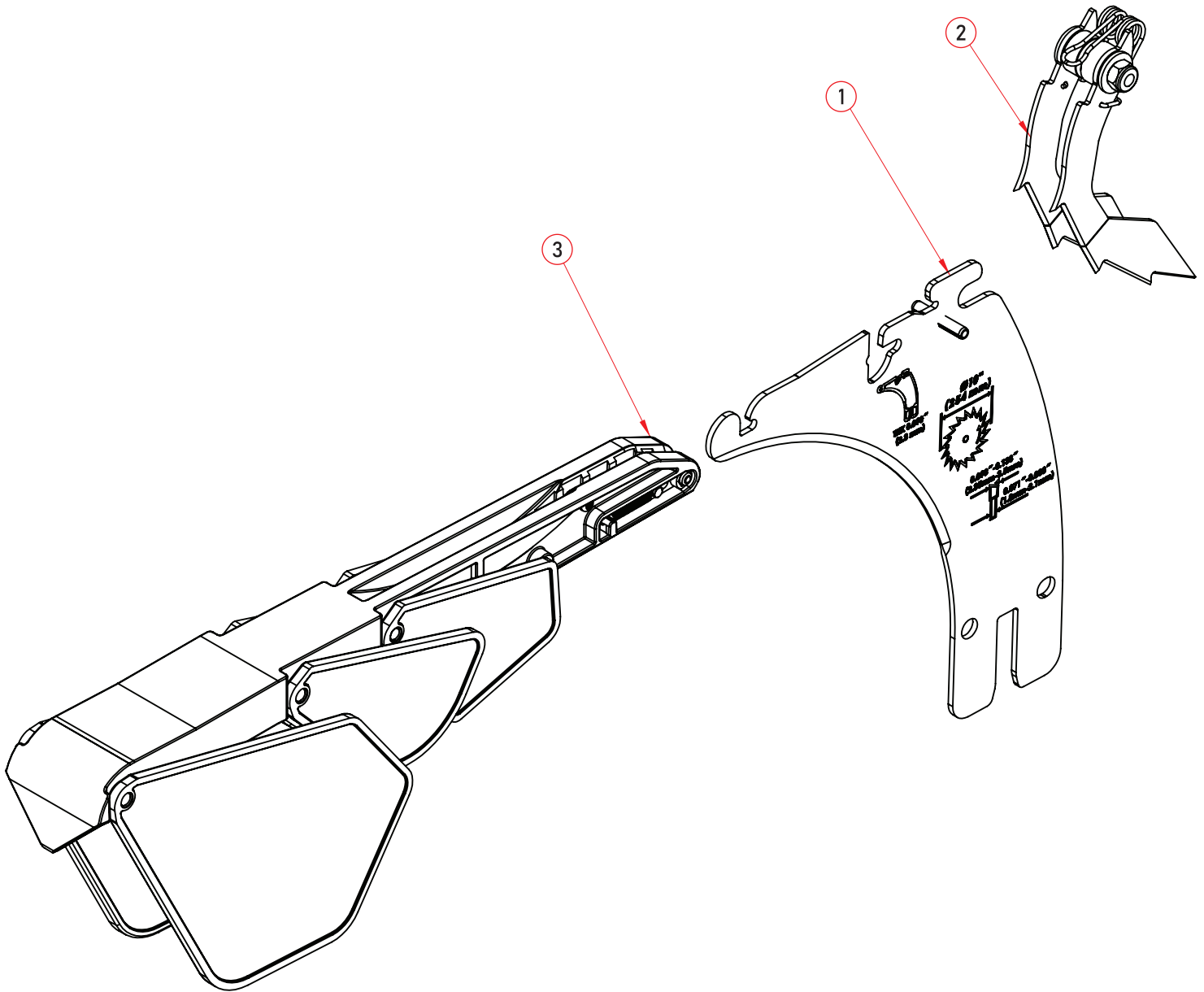


CTS-009 BILL OF MATERIALS		
ITEM NO.	DESCRIPTION	QTY
1	Latch, Table Insert, TSI-CTS	1
2	Lever, Table Insert, TSI-CTS	1
3	Washer, M4, Flat, 14mm ODx1mm THK	1
4	Screw, M4x1.8, 10mm, Button Head, Phillips, Thread Cutting, Black Zinc	1

CTS-101 BILL OF MATERIALS		
ITEM NO.	DESCRIPTION	QTY
1	Latch, Table Insert, CTS-CE	1
2	Screw, M4x1.8, 10mm, Button Head, Phillips, Thread Cutting, Black Zinc	1
3	Washer, M4, Flat, 14mm ODx1mm THK	1
4	Lever, Table Insert, CTS-CE	1

# Micro-Guard Blade Guard Assembly

Part Number: CTS-MG

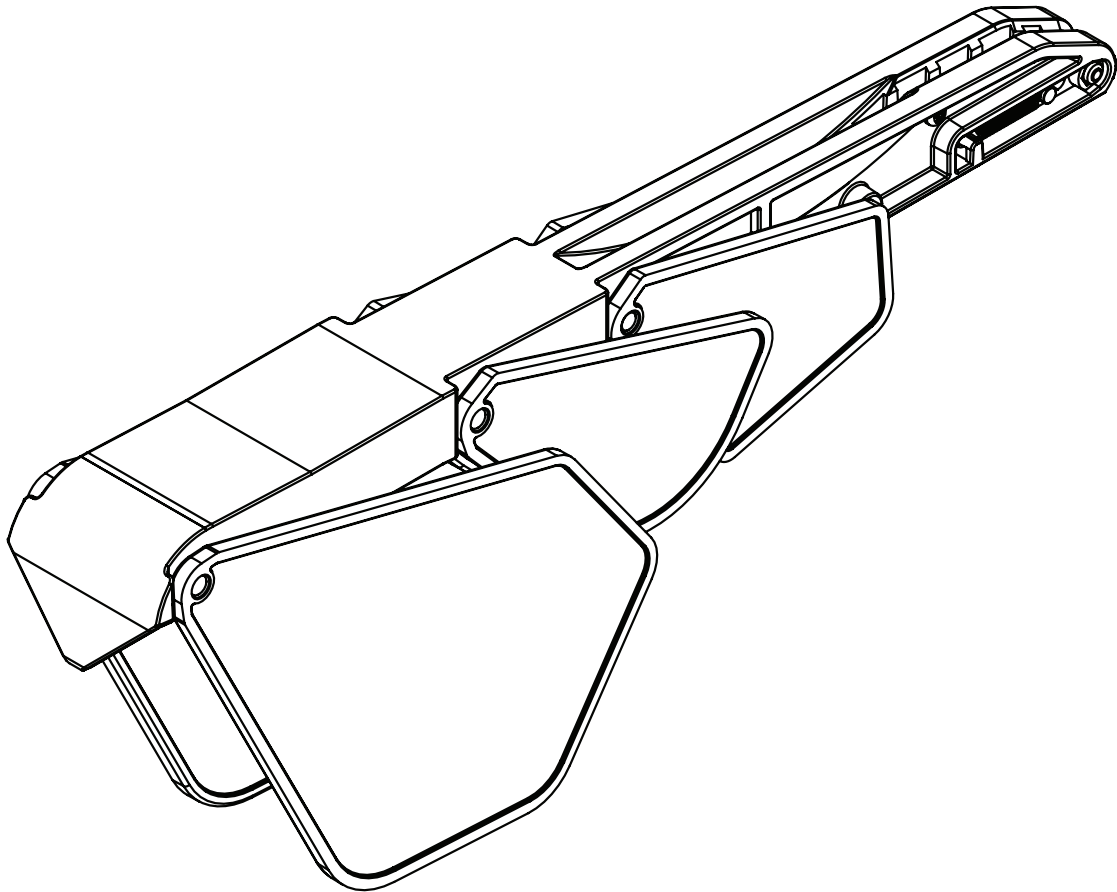


## BILL OF MATERIALS

ITEM NO.	DESCRIPTION	QTY
1	Spreader, Spring Pin, TSGMG, CTS	1
2	Anti-Kickback Pawl, Assembly, JSS-RDC	1
3	Blade Guard, Top Assembly, Micro-Guard, CTS	1

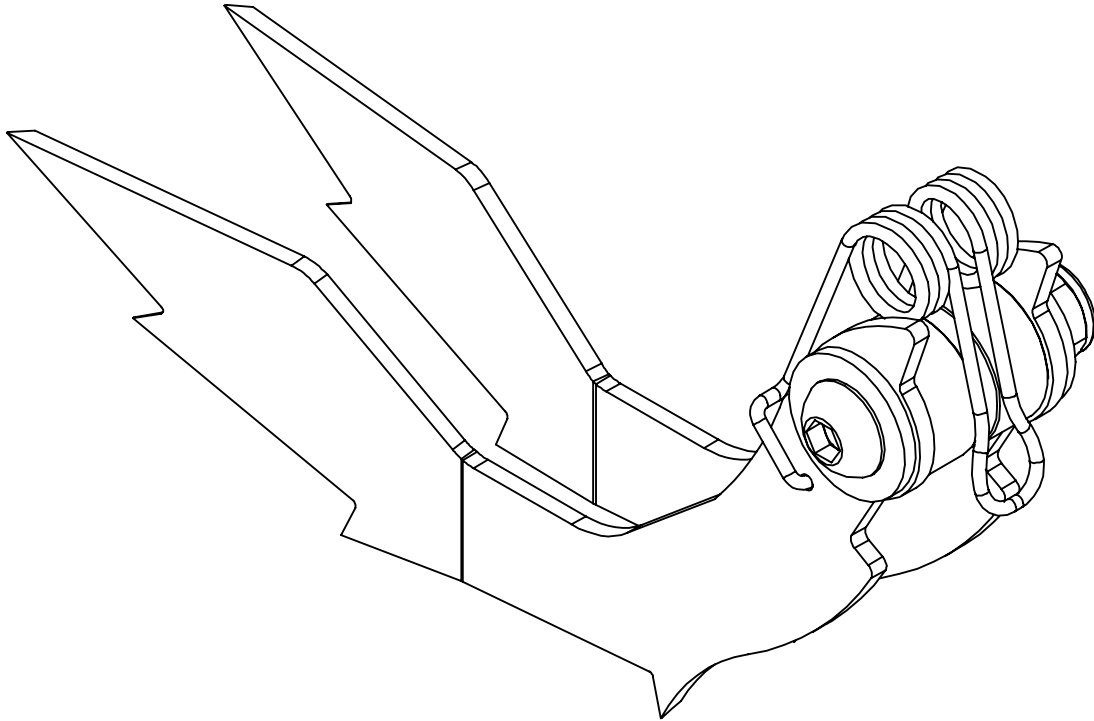
# Micro-Guard Blade Guard Top Assembly

Part Number: CTS-047



# Anti-Kickback Pawl Assembly

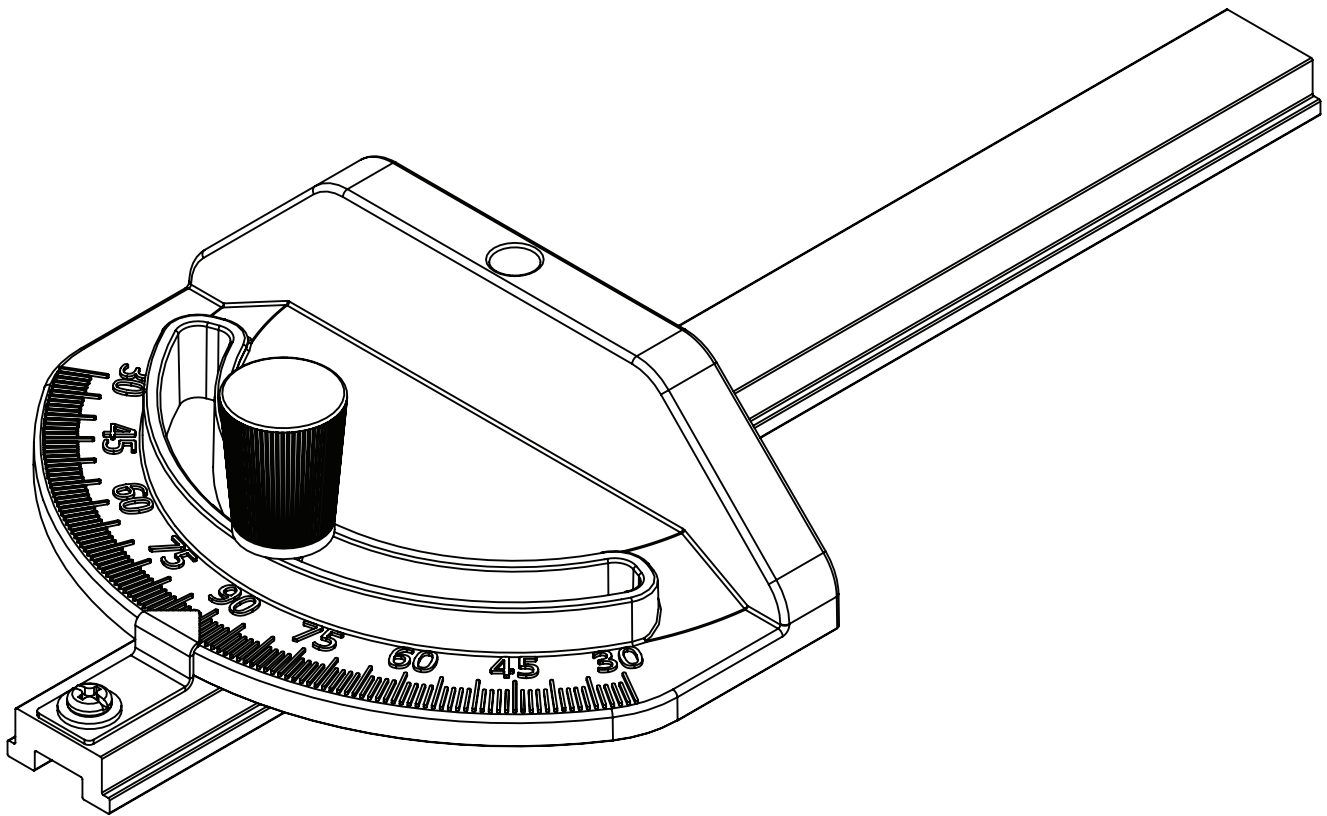
Part Number: CTS-048





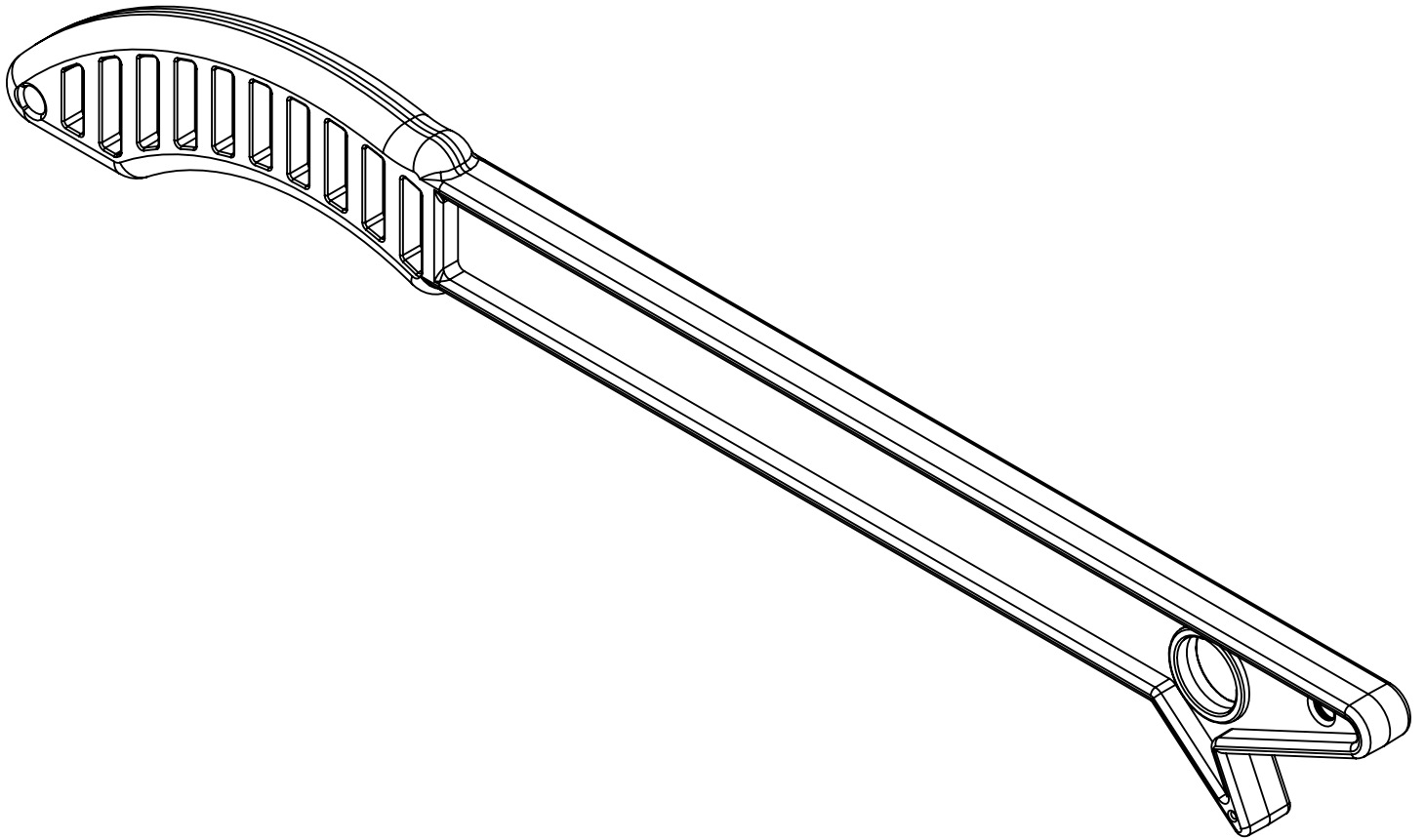
# Miter Gauge Assembly

Part Number: CTS-065



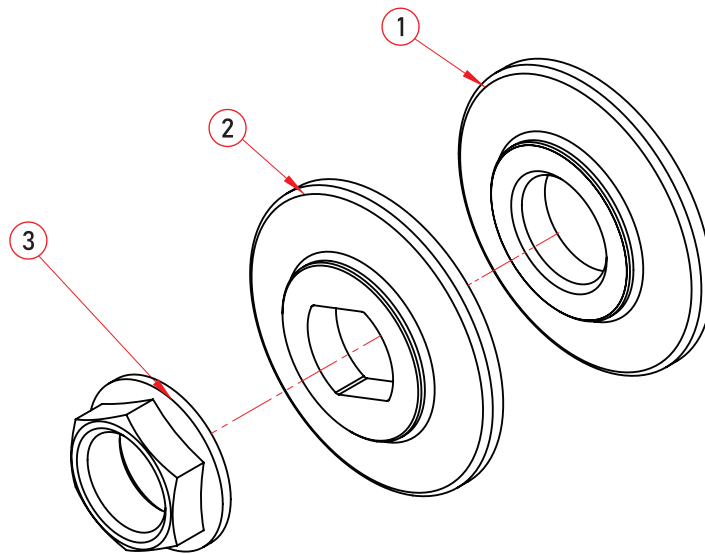
# Push Stick

Part Number: CTS-066



# Arbor Nut Hardware Bag

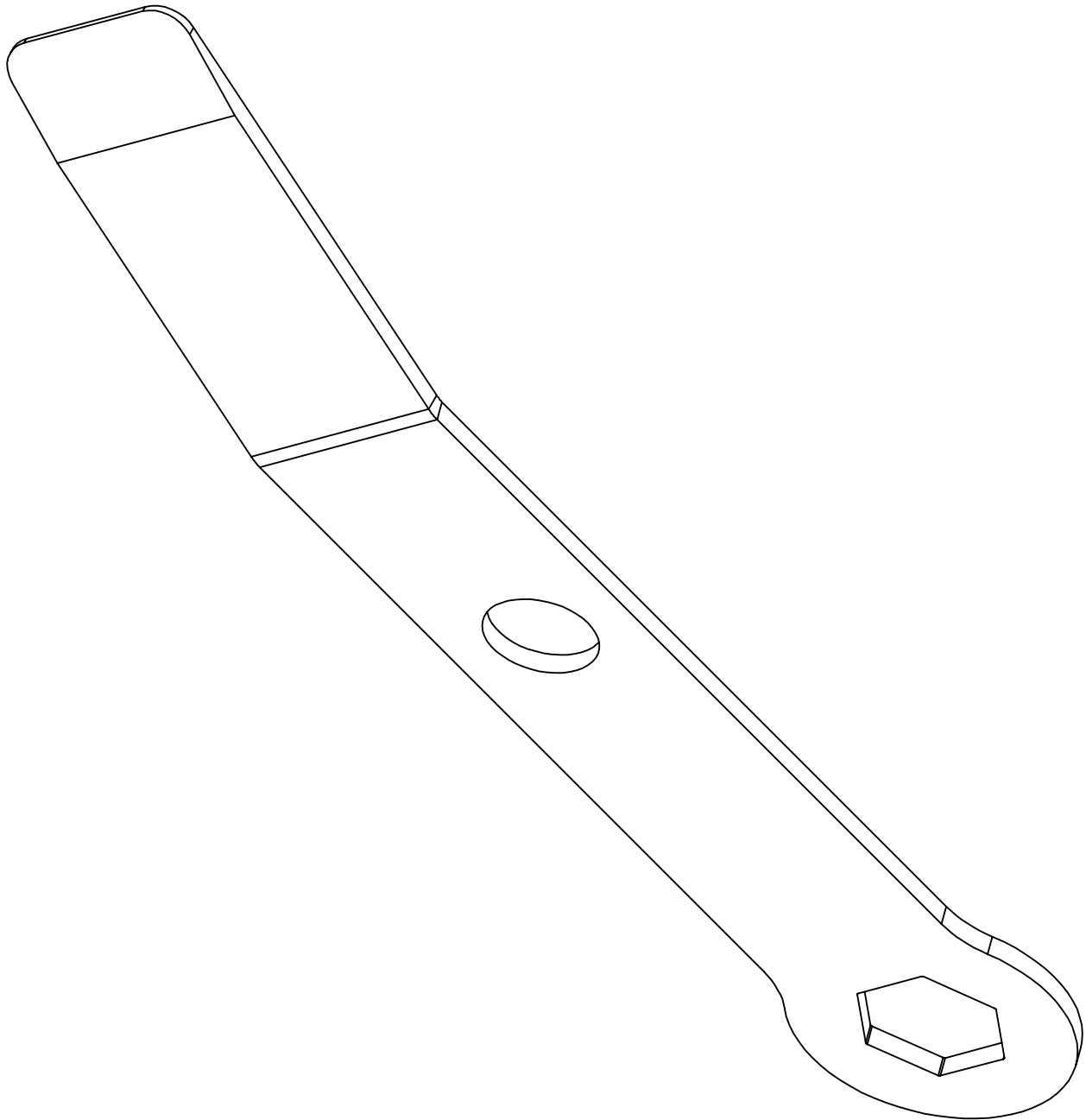
Part Number: CTS-031  
 CTS-105 (Europe and UK Only)



BILL OF MATERIALS		
ITEM NO.	DESCRIPTION	QTY
1	Washer, Arbor, Inner, CTS	1
2	Washer, Arbor, Outer, CTS	1
3	Nut, Arbor, CTS	1

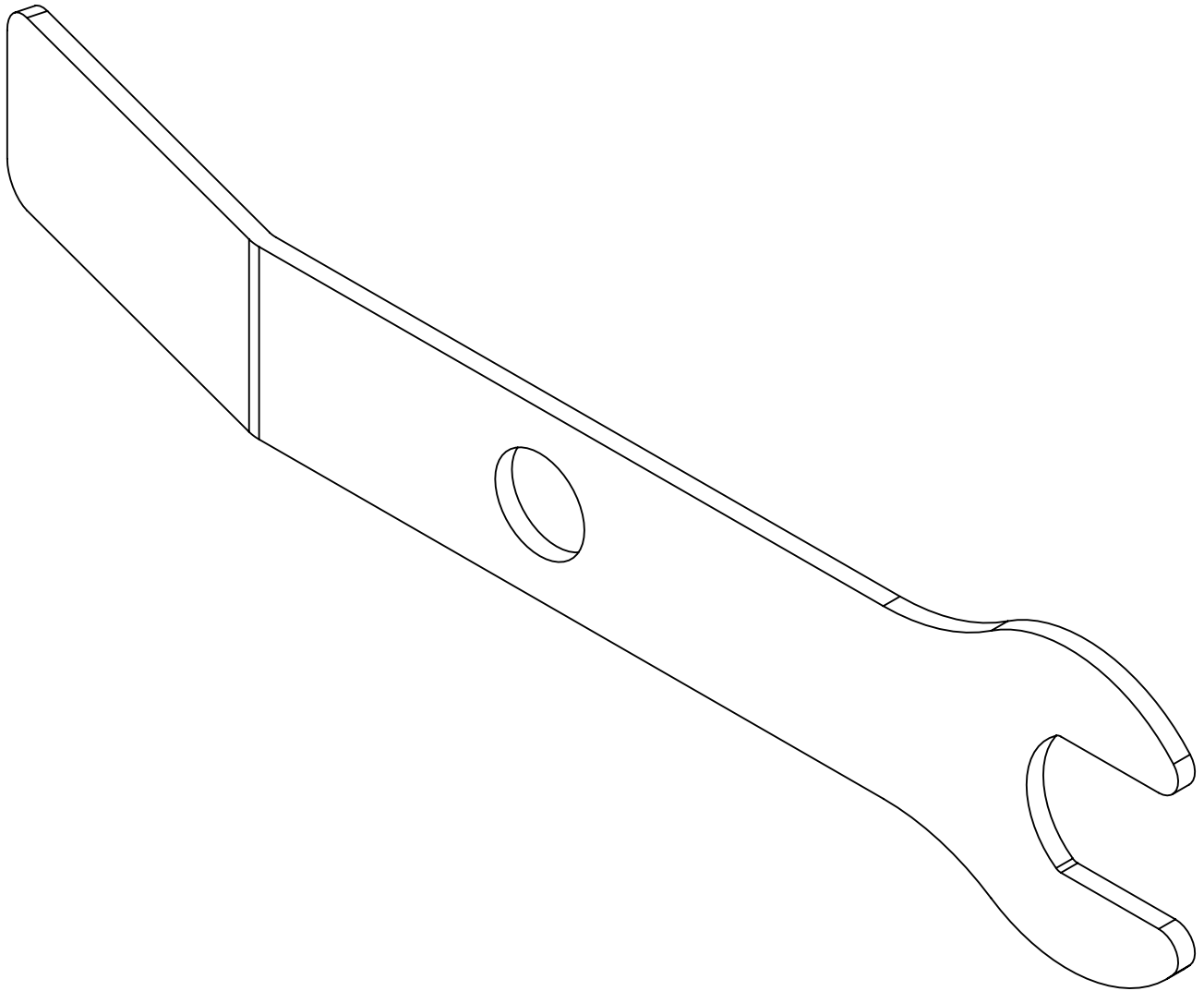
# Arbor Nut Wrench

Part Number: CTS-067



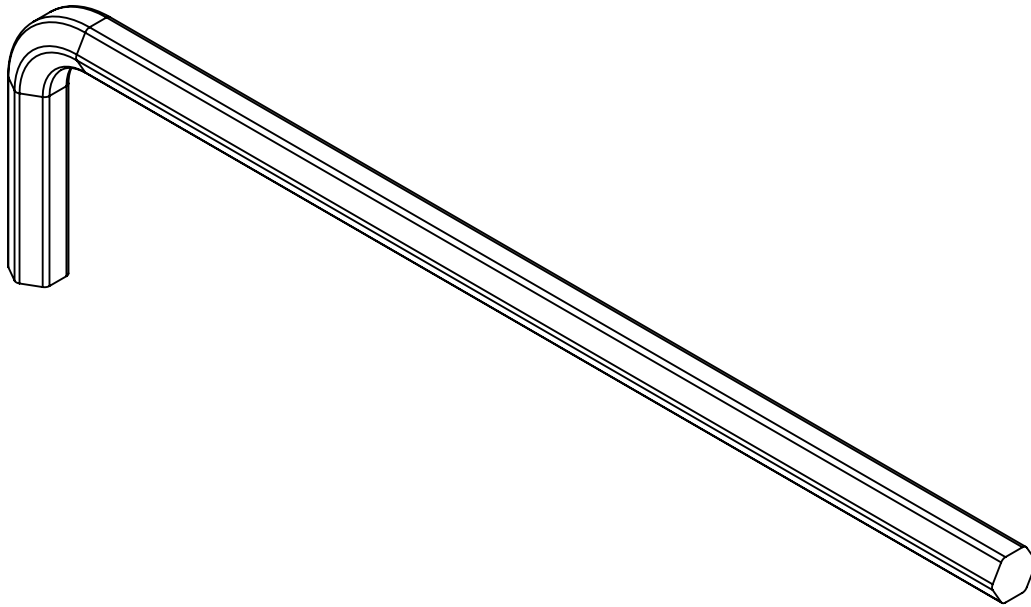
# Arbor Flange Wrench

Part Number: CTS-068



# 4mm Hex L-Wrench

Part Number: CTS-069



# Owner's Manual and Quick Start Guide

Part Number: CTS-097 (Australia and US Version)  
 CTS-111 (Europe and UK Version)



CTS-097

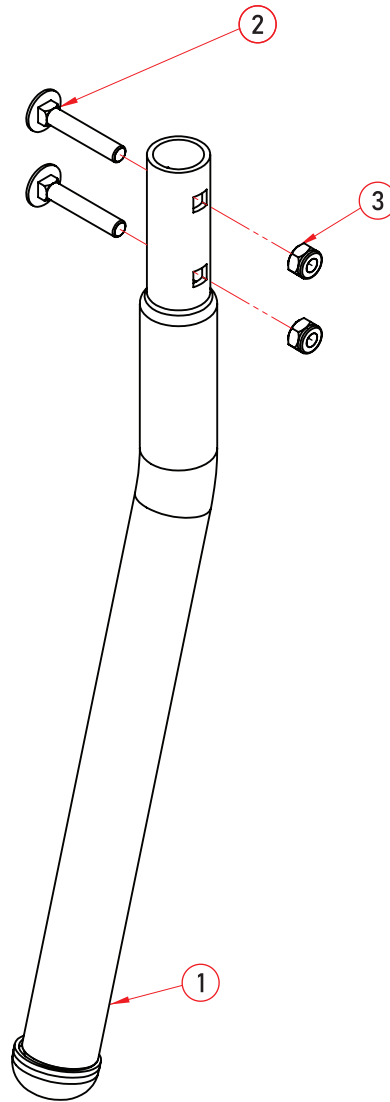


CTS-111



# Extension Leg

Part Number: CTS-060

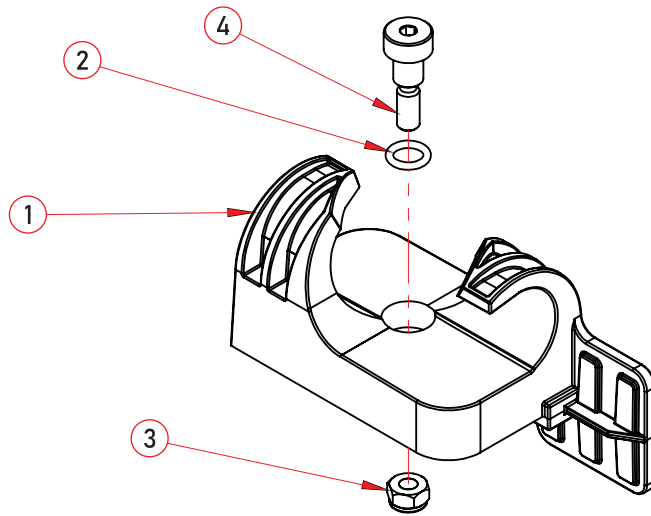


BILL OF MATERIALS		
ITEM NO.	DESCRIPTION	QTY
1	Leg Assembly, Extension, CTS	1
2	Bolt, M6x1.0, 35mm, Carriage Head, Black Zinc	2
3	Nut, M6x1.0, Nylon Insert, Black Zinc	2



# CTS Clamp

Part Number: CTS-061

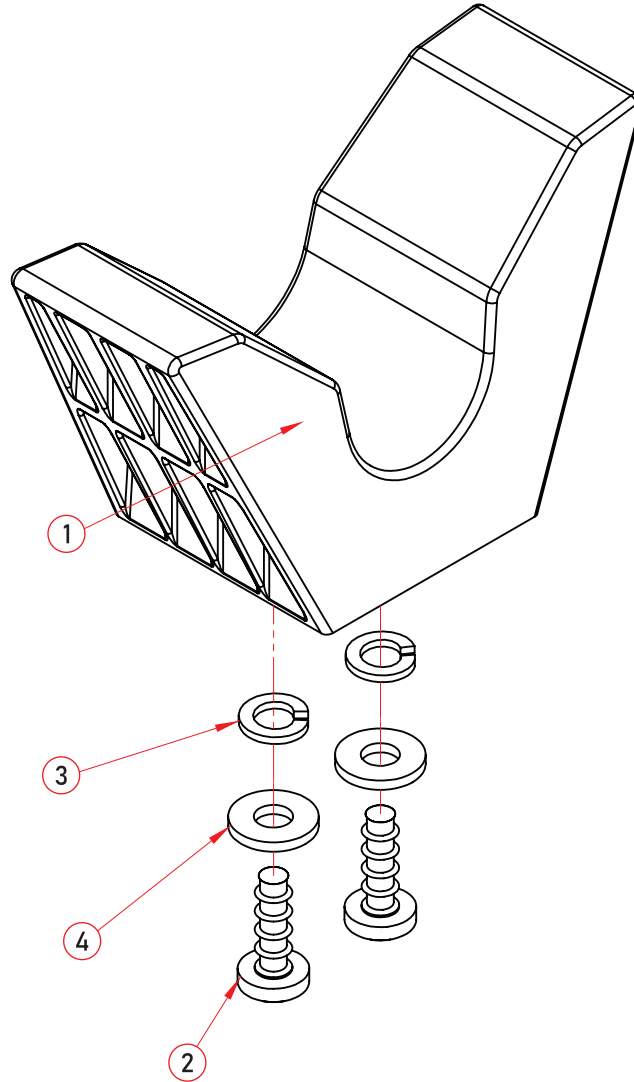


## BILL OF MATERIALS

ITEM NO.	DESCRIPTION	QTY
1	Clamp, Frame, Stand, CTS	1
2	O-Ring, Nitrile, 70A, 8mm ID, 2mm THK	1
3	Nut, M6x1.0, Nylon Insert, Black Zinc	1
4	Bolt, Shoulder, 8mm ODx15mm, M6x1.0, Socket, Black Zinc	1

# Stand Frame Bumper

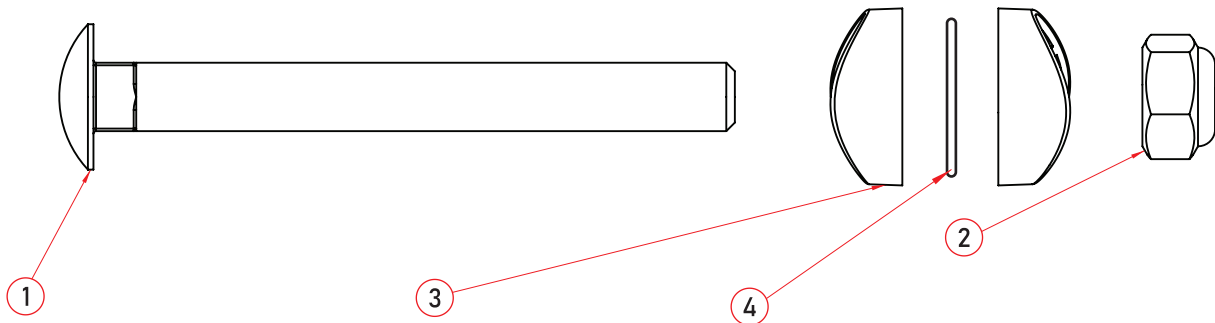
Part Number: CTS-062



BILL OF MATERIALS		
ITEM NO.	DESCRIPTION	QTY
1	Bumper, Frame, Stand, CTS	1
2	Screw, M5x3, 15mm, Button Head, Phillips, Plastitite	2
3	Washer, M5, Lock, Black Zinc	2
4	Washer, M5, Flat, 12mm ODx1.5mm THK, Black Zinc	2

# Stand Pivot Hardware Bag

Part Number: CTS-063

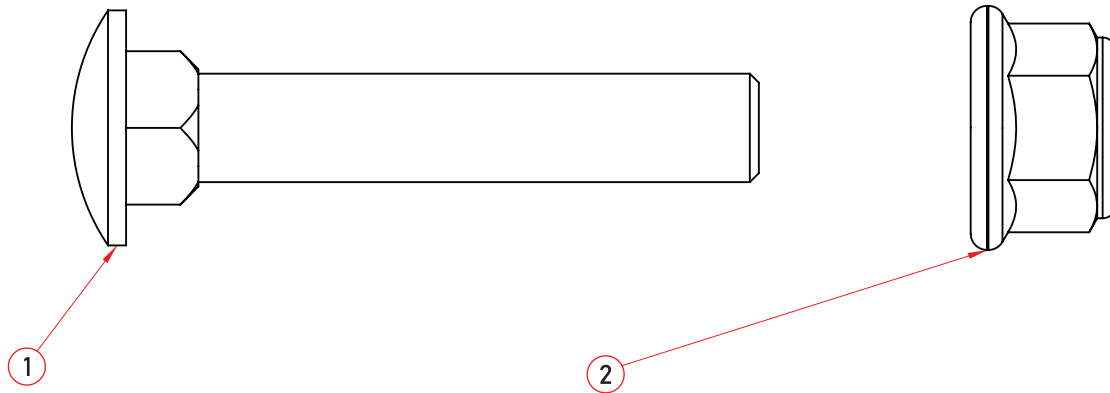


BILL OF MATERIALS		
ITEM NO.	DESCRIPTION	QTY
1	Bolt, M8x1.25, 75mm, Carriage Head, Black Zinc	2
2	Nut, M8x1.25, Nylon Insert, Black Zinc	2
3	Bushing, Pivot, Stand, CTS	4
4	O-Ring, Nitrile, 70A, 12mm IDx2mm THK	1



# Stand Hardware Bag

Part Number: CTS-064



BILL OF MATERIALS		
ITEM NO.	DESCRIPTION	QTY
1	Bolt, M6x1.0, 35mm, Carriage Head, Black Zinc	8
2	Nut, M6x1.0, Flange, Nylon Insert, Black Zinc	8



**USA/CANADA**

**SawStop, LLC**

11555 SW Myslony St,  
Tualatin, OR 97062 USA

Parts available for purchase at  
[SawStopStore.com](http://SawStopStore.com)

**[SawStop.com/support](http://SawStop.com/support)**

**Service**

(503) 582-9934

[service@SawStop.com](mailto:service@SawStop.com)

**EUROPE/UK**

**TTS Europe SE**

73240 Wendlingen a.N., DE

**UK Rep**

Authorised Rep Compliance Ltd., ARC House,  
Thurnham, Lancaster, LA2 0DT, UK.

**[SawStop.eu/support](http://SawStop.eu/support)**

[SupportEurope@SawStop.com](mailto:SupportEurope@SawStop.com)

**AUSTRALIA**

**[Carbatec.com.au/contact](http://Carbatec.com.au/contact)**

[customercare@carbatec.com.au](mailto:customercare@carbatec.com.au)